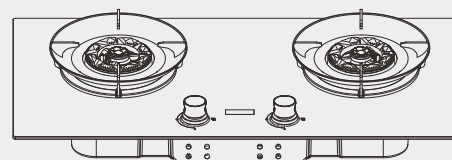


**ROBAM**

Edition: A/0  
Publication Date: November, 20, 2025

**ROBAM**



User Manual

If the manual is lost, you can send e-mail to [overseas@robam.com](mailto:overseas@robam.com), request for an electronic manual.  
Read these instructions carefully before using the appliance and retain them for future reference.

**JZY-9B6H61**

Gas Hob

## Contents

Notice Items .....	1
Important Safety Information .....	3
Product Structure .....	6
Product Parameter .....	7
Installation Instruction .....	8
Use Instruction .....	10
Clean and Maintenance .....	12
Electrical Schematic .....	12
General Troubleshooting .....	13
Attachment .....	13

## Notice Items

1. Please make sure the source of gas is in line with that noted on nameplate before your installation of the product, otherwise it is strictly prohibited to use.

2. The minimum distance between the gas stove and gas resource should be no less than 1 meter and connecting tube should be the matched special gas tube, which should be replaced once a year at a regular limitation. The regular length of the tube should be 1-1.5 meter as preferred. It is highly required that the tube should be avoided from pressing, heavy bending or aging. The joining point should be carefully checked to avoid any possibility of leaking and any potential damage from the leaking.

**WARNING: THE GAS STOVE SHOULD BE ONLY CONNECTED BY THE QUALIFIED SPECIAL TUBE(e.g. the tube made of UV-PSA, Buna-N rubber ). IT IS HIGHLY PROHIBITED FROM USING NORMAL RUBBER TUBE, FOR THE POSSIBLE CHEMICAL REACTION MAY HAPPEN WHEN THE NORMAL RUBBER TUBE MEET OZONE/LIQUID OIL, WHICH WILL POSSIBLY CAUSE THE DAMAGE OF THE TUBE AND THE RELATED POTENTIAL ACCIDENTS.**

3. Leave the valve of the gas inflow tube under normal situation. The leaking test should be done after any abnormal change of the valve. (Put the low-concentrated cleaning solution to the joint point and then turn on the valve to check whether any air bubble appears, if there were any air bubble, the valve should be turned off immediately and fix the problem. It cannot be used until the problem is completely solved).

4. The fixing metal joint should be installed strictly according to the operation manual, which lays in the “package of the fixing metal joint” or installed by the professional staff, if the tube is connected by the fixing metal joint. The test of leaking should be done before use. (The way of leaking test above is for your reference ).

5. The gas stove should be installed on the place of well-ventilated, but should be avoided from the strong wind.

6. Do not try to cover the flame on the gas stove, or put anything tinder around. Besides the gas stove cannot be used to for drying towel or clothes, etc.

7. Do not have the immediate touch on the flame-around area, such as work stand, burner or cooktop after the use of the gas stove.

8. Do not try to beat the cooktop, and the special attention should be paid to keeping the gas stove in good condition during the transport and installation.

9. Once any leaking tested, the valve should be turned off immediately and the window should be open to keep ventilated. The electric fan or range hood or any other electric appliances are prohibited to use, and keep the fire away. Meanwhile, please contact professional staff.

10. If there were any abnormal sound such as whirl heard, or the color of flame turned from dark to light or turned muddy, the backfire from the burner might be happened. Please turn off the switch, and check whether the burner and copper core are well-positioned. Turn on the switch in half a minute after the check.

11. Each time of turn-on the switch should be no more than 20 seconds to avoid from deflagrating. If the switch cannot be turned on within five times, please contact the service immediately.

12. The children are prohibited to use the gas stove in the case of safety concern.

13. The installation and any maintenance should be taken only by the professionals.

14. Be sure to keep your head away from the burner while the operation of turn-on gas stove. Please turn off the valve of gas and switch of gas stove after the use to avoid from any possible accident.

15. Be sure to keep any heat conductor such as metal knife, fork or cover away from the heat.

## Important Safety Information



### General Information

THIS PRODUCT BELONGS TO THE EMBEDDED HOUSEHOLD GAS STOVE, YOUR SAFETY IS OF THE UTMOST IMPORTANCE TO ROBAM APPLIANCES CO.,LTD.PLEASE MAKE SURE THAT YOU READ THIS INSTRUCTION BOOKLET BEFORE ATTEMPTING TO INSTALL OR USE THE APPLIANCE. IF YOU ARE UNSURE OF ANY OF THE INFORMATION CONTAINED IN THIS BOOKLET, PLEASE CONTACT THE ROBAM APPLIANCES CO.,LTD.

- ◆ This appliance is designed for domestic household use and for the cooking and frying of domestic foodstuffs.
- ◆ **IMPORTANT:** The adjacent furniture and all materials used in the installation must be able to withstand a minimum temperature of 85°C above the ambient temperature of the room it is located in, whilst in use.
- ◆ Certain types of vinyl or laminate kitchen furniture are particularly prone to heat damage or discolouration at temperatures below the guidelines given above.
- ◆ Any damage caused by the appliance being installed in contravention of this temperature limit, will be the liability of the owner.
- ◆ Your new appliance is guaranteed against electrical or mechanical defects, subject to certain exclusio that are noted in ROBAM APPLIANCES CO.,LTD.conditions of guarantee. The foregoing does not affect your statutory rights.

- ◆ The use of this appliance for any other purpose or in any other environment without the express agreement of ROBAM APPLIANCES CO.,LTD.will invalidate any warranty or liability claim.
- ◆ You should not use this appliance to store items on or as a work surface.
- ◆ Do Not Modify This appliance.
- ◆ You should not store or place flammable or highly flammable liquids/materials on top of or near the appliance. Items made from aluminium, plastic or plastic film should also be kept away from the appliance, as they may fuse to the surface.
- ◆ Repairs may only be carried out by ROBAM APPLIANCES CO.,LTD.service engineers or their authorized service agent.

### General Safety

- ◆ Installation must be carried out by an AUTHORISED PERSON in accordance with the regulation in force.
- ◆ Care should be taken to ensure that the units and work surfaces that you build the appliance into, meet with The relevant standards.
- ◆ This appliance is not intended for use by persons(including children)with reduced physical, sensory or mental capabilities, or lack of experience and knowledge, unless they have been given supervision or instruction concerning use of the appliance by a person responsible for their safety.
- ◆ DO NOT USE OR STORE FLAMMABLE MATERIALS IN THE APPLIANCE STORAGE DRAWER OR NEAR THIS APPLIANCE.
- ◆ DO NOT SPRAY AEROSOLS IN THE VICINITY OF THIS APPLIANCE WHILE IT IS IN OPERATION.
- ◆ DO NOT MODIFY THIS APPLIANCE.
- ◆ DO NOT USE THIS APPLIANCE AS A SPACE HEATER.

### Child Safety

- ◆ ROBAM APPLIANCES CO.,LTD.strongly recommend that babies and young children are prevented from being near to the appliance and not allowed to touch the appliance at any time. During and after use, all surfaces will be hot.
- ◆ If it is necessary for younger family members to be in the kitchen, please ensure that they are kept under close supervision at all times.
- ◆ Older children should only be allowed to utilise the appliance when supervised.
- ◆ Children should be supervised to ensure that they do not play with the appliance.

### During Use

- ◆ Any film or stickers that are present on the hob surface when it is delivered should be removed before use.
- ◆ These instructions are only valid if the country symbol appears on the appliance.If the symbol does not appear on the appliance, it is necessary to refer to the technical instructions, which will provide the necessary instructions concerning modification of the appliance to the conditions of use of the country.

- ◆ Prior to installation, ensure that the local distribution conditions (nature of the gas and gas pressure) and the adjustment of the appliance are compatible.
- ◆ The adjustment conditions fro this appliance are stated on the label (or data plate).
- ◆ This appliance is not connected to a combustion product evacuation device.It shall be installed and connected in accordance with current installation regulations. Particular attention shall be given to the relevant requirements regarding ventilation.
- ◆ CAUTION: The use of a gas cooking appliance results in the production of heat and moisture in the room in which it is installed. Ensure the kitchen is well ventilated, keep natural ventilation holes open or install a mechanical ventilation device(mechanical extractor hood).
- ◆ CAUTION: This appliance is for cooking purposes only. It must not be used for other purposes, for example room heating.
- ◆ Prolonged intensive use of the appliance may call for additional ventilation, for example opening of a window or more effective ventilation, for example increasing the level of mechanical ventilation where present.
- ◆ Care should be used when utilising the appliance, otherwise there is a risk of burns being caused.
- ◆ You should not allow the electrical connection cables to come into contact with the hob surface when it is hot or any hot cookware.
- ◆ If fat and oil overheats, then it can ignite extremely quickly. For this reason, when cooking with fat and oil the appliance should not be left unattended.
- ◆ Make sure that all of the cooking zones are switched off after use.

CAUTION: "In case of hotplate glass breakage:

- shut immediately off all burners and any electrical heating element and isolate the appliance from the power supply
- do not touch the appliance surface
- do not use the appliance."

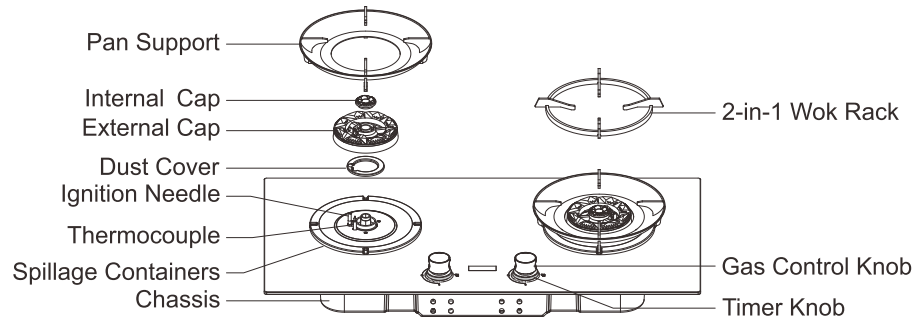
### ◆ Pan Diameter limits

Wok burner (5.0kW): 220mm~300mm

Warning the user against the use of cooking vessels on the hob that overlap its edges. The use of inappropriate hob guards can cause accidents.

## Product Structure

(For reference only)



## Product Parameter

Product Name	Gas Hob
Model	JZY-9B6H61
Gas Category, Type	3B/P(30), G30, G31 or their mixtures
Rated Gas Pressure	28-30 mbar
Nominal Heat Input	Total: 10.0kW (728g/h) Left burner: 5.0kW (364g/h) Right burner: 5.0 kW (364g/h)
Gas Inlet Connection	φ 9.5mm special gas rubber gasket (G1/2 inch special metal gasket)
Product Size(mm)	860×450×133
Net Weight(kg)	14
Injector Dia. (mm)	0.95 & 0.48
Hob Element Number	2
Battery Supply	DC 3.0V
Panel	Tempered Glass
Size of Openings(mm)	650×350×R10
Ignition Method	Electronic Pulse
Flame Failure Safety Device	Yes

Note:

1. The parameters listed are for reference only. For exact specifications, please refer to the nameplate on the hob.
2. We reserve the right to make changes to the product design and specifications.
3. For a brand new installation, the recommended cutout size is 650mm × 350mm (refer to Installation Instruction 8). For replacement installation, the adaptable cutout size range is 650~710mm × 350~400mm (refer to Installation Instruction 9).

## Installation Instruction

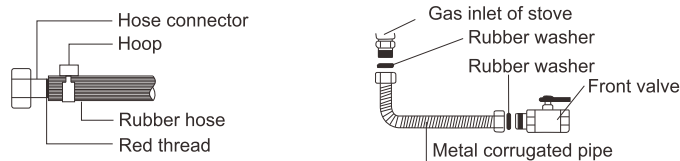
1. When the Gas Hob is installed, the distance from the combustibles is not less than 15cm, and the distance between the Gas Hob and noncombustible should be not less than 7cm; The Gas Hob and the above object should have a height of more than 100cm, If you want to install a Rang Hood, the height of 65cm-75cm from the Gas Hob is suitable. (This space is set up according to the installation requirements of the Range Hood).

2. The kitchen cabinet for built-in gas stove should be specially designed for the safety concern. The ventilated borehole should be suitable for the safety requirement and the size should be no less than 100cm<sup>2</sup>.

3. When the special gas tube is used, one side of the tube should be connected with the gas valve while the other side connected with the inflow side of gas stove. Please take off the cover on the connection point and put the tube to cover the red-mark point, and tighten it with the anchor ear. Be sure that the leaking test should be taken before use (Pic1).

4. If connected using a G1/2-inch interface, the Ø9.5mm hose adapter must be removed. Place the rubber gasket on the interface, tighten the nut, and conduct a leak test. The appliance must not be used until no leakage is confirmed(Pic2).

5. The fixing nut of the gas inlet pipe connection must not be loosened or adjusted arbitrarily.

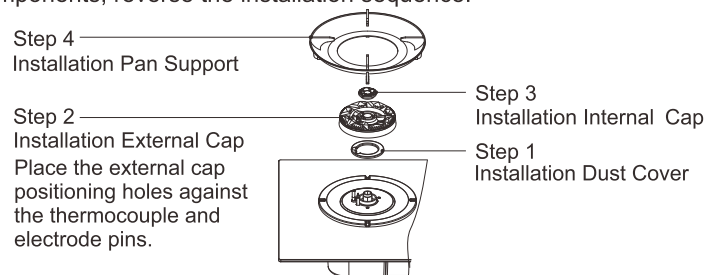


Pic1

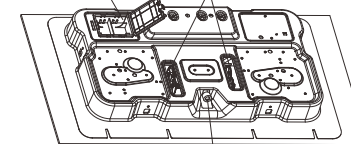
Pic2

6. The qualified reduction valve should be used when the LPG is used as the source of the gas.

7. When installing the Dust Cover, External Cap, Internal Cap, and Pan Support, follow the steps below. Ensure all components are seated firmly and evenly without misalignment or tilt. After installation, verify that all parts are correctly positioned. To remove components, reverse the installation sequence.

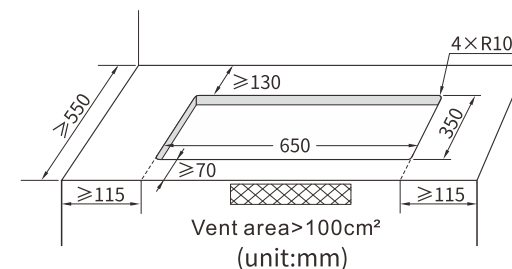


Bottom functional location diagram  
Battery installation position ⊙ ⊙ Damper Adjustment Position



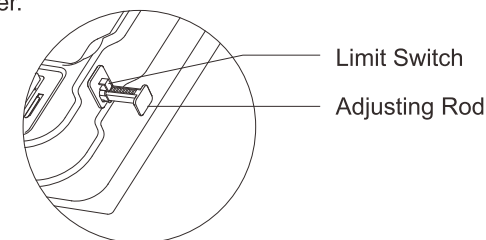
The position of the air inlet of the stove

8. For brand new installation of this cooker, the recommended opening is 650mm×350mm. The cooktop needs to be mounted on a sturdy, level cabinet countertop, and the holes should be cut according to the dimensional requirements shown, and the cooktop should be embedded in the holes and leveled.



9. This cooktop can be referred to the following method if doing replacement installation. This cooktop can be adapted to a range of openings:(650~710)mm×(350~400)mm If replacing the installation, install as follows.

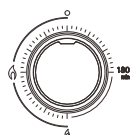
- ① Measure the actual size of the opening in the user's home by the installer (minimum opening 650mm×350mm);
- ② Symmetrically stretch both sides of the adjusting lever to the desired position as shown in the figure (4mm interval for each position), adjust the rear side in the same way, and put the chassis into the cabinet hole to complete the installation;
- ③ If you need to adjust the narrowing, press the limit switch on the adjusting seat by hand and push in the adjusting lever.



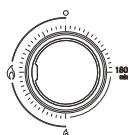
## Use Instruction

1. Check that the burner head, burner, and pan support are correctly positioned. Ensure the control knob (Pic3) is in the off position, then open the gas supply valve.

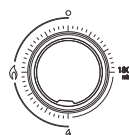
2. Ignition Method: Press down and turn the control knob. You will hear a continuous clicking sound from the pulse igniter. While continuing to press, rotate the knob 90 degrees counterclockwise (Pic4). If a flame appears, the burner is ready for use. If no flame appears, repeat the above steps. For a low flame, turn the knob a further 90 degrees counterclockwise (Pic5).



Pic3



Pic4



Pic5

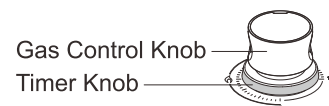
3. SWITCH-OFF: Turn the control knob clockwise to the "OFF" position (Pic3). The flame will go out.

4. FIREPOWER CONTROL: Follow the flame level indicators on the control panel. Rotate the control knob to achieve your desired flame size.

## Combustion Timing Setting

The steps for using the timer function are as follows:

- ① After the stove is successfully ignited, rotate the Timer Knob on the corresponding burner to activate the timer function. At this time, the screen will display "0" and flash.
- ② Rotate the Timer Knob clockwise/counterclockwise again to increase/decrease the timer interval. The initial timer interval is 15 minutes by default. Users can adjust it within the range of 1-180 minutes as needed: 1-30 minutes, each adjustment changes by 1 minute; 30-60 minutes, each adjustment changes by 5 minutes; 60-180 minutes, each adjustment changes by 10 minutes; when adjusted clockwise to 180 minutes, the timer interval stops increasing; when adjusted counterclockwise to 0 minutes, the timer is canceled.
- ③ After setting, if there is no operation within a few seconds, the stove will automatically lock the timer. At this time, the screen will stop flashing, continue to display the remaining time, and then turn to a half-bright state within a few seconds.
- ④ During the timed operation, if you need to adjust or cancel, you can rotate the Timer Knob of the corresponding burner head to activate the timer function again. After the screen flashes, repeat steps ② and ③.
- ⑤ When the countdown reaches the last minute, the stove will beep once, and the timer display will switch from minutes to seconds. With 30 seconds remaining, the stove will beep again. After the countdown ends, the stove will automatically shut off and beep five times, while the screen goes out. Please check promptly and be sure to manually turn off the Gas Control Knob.



Display Screen

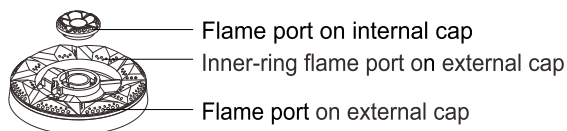
### Low battery alert:

When the battery icon flashes on the display, replace the battery promptly.

**Note:** Timing is only an auxiliary function to turn off the fire, during the timing process, please keep the cooker in a care state, do not go out or go to bed, etc.

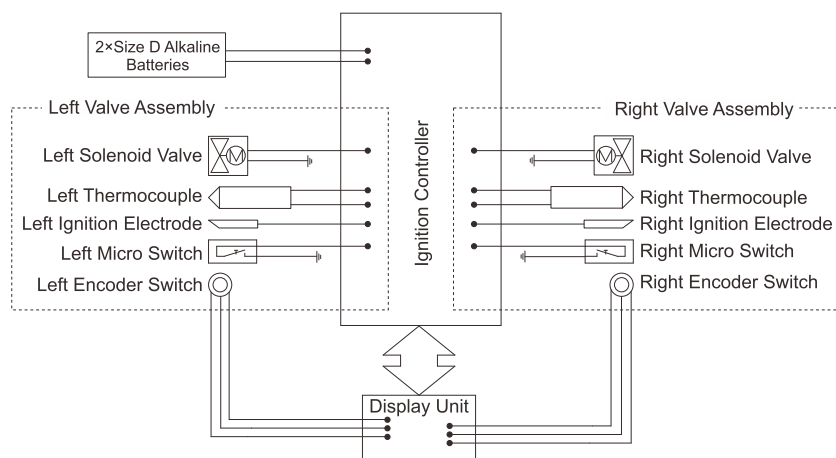
## Clean and Maintenance

1. Please deal with used battery properly avoiding pollution.
2. This product use environmental and recyclable package, please deal with those packages properly in order to protect environment and reduce waste.
3. If maintenance confirms this product can't be used again, please deal with recyclable materials properly.
4. Maintain gas hob surface: Please clean the surface with wet and neutral detergent cloth, and then clean with dry cloth, Don't use steel brush or other rigidity objects.
5. Check if the internal cap、external cap and ornamental ring are shift or biasing, and correct them at the right position in time.
6. In order to keep ordinary usage and good combustion regime, operator must clean and dredge the fire hole with brush and steel needle regularly to prevent fire from turning back and damage gas hob. Don't bath this product.



(For reference only)

## Electrical Schematic



## General Troubleshooting

Problem	Possible Reason	Measurement	
Ignition Failure	Gas Valve is not open	Turn off the control switch Then turn on the gas valve	
	Air exists in gas pipe	Exhaust the air by igniting repeatedly	
	The rubber tube is twisted or blocked	Straighten, clean or replaced the rubber tube	
	Ignitor malfunction or the electrode needle in wrong position	Adjust the electrode needle to burner, keep the distance 4mm	
	Without battery, put battery oppositely or power insufficiency.	Install the battery collectly or replace the battery	
The burner is not work when loosen the knob	The inner cap or outer cap is incorrectly positioned.	Reposition the inner and outer caps correctly according to the diagram.	
	The damper adjuster too big and flame left burner.	Adjust the damper	
	Time to press On/Off switch is too short.	Press the knob firmly (to the bottom) and release it.	
Gas leakage (gas smell)	Switch is not closed completely.	Turn off the switch	
	The rubber tube is not connected or cracked.	Connect rubber tube or replace it	
Burning abnormal or sounding noise	Burner is blocked	Clear away the block	
	The gas used here is not consonant with the required in the nameplate.	Choose the cooktop properly	
	Gas pressure is unstable, water in the rubber tube.	Get rid of water in the rubber tube	
Battery icon blinking	Low battery	Please replace the battery	
trouble code	E 1	Ignition was unsuccessful	Check the possible causes for "Burner won't ignite" listed above. If the problem continues after checks, contact after-sales service.
	E 2	Stall unexpectedly	Please call the after-sales service
	L 0	Low-pressure fault	Replace the batteries. If the fault code persists after battery replacement, please call the after-sales service.
	E 5	Solenoid/thermocouple line control abnormality	Please call the after-sales service

## Attachment

1. One copy of the Operation Manual
2. Two pieces of anchor ear (except for metal soft pipe)
3. Two Size D Alkaline Batteries (in packing foam)
4. One copy of Installation templet
5. One 2-in-1 wok rack
6. One set of limiters