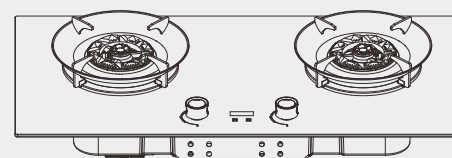


**ROBAM**

Edition: A/0  
Publication Date: November, 30, 2025

**ROBAM**



User Manual

If the manual is lost, you can send e-mail to [overseas@robam.com](mailto:overseas@robam.com), request for an electronic manual.  
Read these instructions carefully before using the appliance and retain them for future reference.

**MADE BY: HANGZHOU ROBAM APPLIANCES CO.,LTD.**

ADD: No.592,Linping Av.,Linping Economic Development Zone,Linping District,311100,  
Hangzhou,Zhejiang Province P.R.China

**JZY-9B6H80**

Gas Hob

## Contents

Notice Items .....	1
Important Safety Information .....	3
Product Structure .....	6
Product Parameter .....	7
Installation Instruction .....	8
Use Instruction .....	10
Clean and Maintenance .....	12
Electrical Schematic .....	12
General Troubleshooting .....	13
Attachment .....	13

## Notice Items

1. Please make sure the source of gas is in line with that noted on nameplate before your installation of the product, otherwise it is strictly prohibited to use.

2. The minimum distance between the gas stove and gas resource should be no less than 1 meter and connecting tube should be the matched special gas tube, which should be replaced once a year at a regular limitation. The regular length of the tube should be 1-1.5 meter as preferred. It is highly required that the tube should be avoided from pressing, heavy bending or aging. The joining point should be carefully checked to avoid any possibility of leaking and any potential damage from the leaking.

**WARNING: THE GAS STOVE SHOULD BE ONLY CONNECTED BY THE QUALIFIED SPECIAL TUBE(e.g. the tube made of UV-PSA, Buna-N rubber). IT IS HIGHLY PROHIBITED FROM USING NORMAL RUBBER TUBE, FOR THE POSSIBLE CHEMICAL REACTION MAY HAPPEN WHEN THE NORMAL RUBBER TUBE MEET OZONE/LIQUID OIL, WHICH WILL POSSIBLY CAUSE THE DAMAGE OF THE TUBE AND THE RELATED POTENTIAL ACCIDENTS.**

3. Leave the valve of the gas inflow tube under normal situation. The leaking test should be done after any abnormal change of the valve. (Put the low-concentrated cleaning solution to the joint point and then turn on the valve to check whether any air bubble appears, if there were any air bubble, the valve should be turned off immediately and fix the problem. It cannot be used until the problem is completely solved).

4. The fixing metal joint should be installed strictly according to the operation manual, which lays in the “package of the fixing metal joint” or installed by the professional staff, if the tube is connected by the fixing metal joint. The test of leaking should be done before use. (The way of leaking test above is for your reference ).

5. The gas stove should be installed on the place of well-ventilated, but should be avoided from the strong wind.

6. Do not try to cover the flame on the gas stove, or put anything tinder around. Besides the gas stove cannot be used to for drying towel or clothes, etc.

7. Do not have the immediate touch on the flame-around area, such as work stand, burner or cooktop after the use of the gas stove.

8. Do not try to beat the cooktop, and the special attention should be paid to keeping the gas stove in good condition during the transport and installation.

9. Once any leaking tested, the valve should be turned off immediately and the window should be open to keep ventilated. The electric fan or range hood or any other electric appliances are prohibited to use, and keep the fire away. Meanwhile, please contact professional staff.

10. If there were any abnormal sound such as whirl heard, or the color of flame turned from dark to light or turned muddy, the backfire from the burner might be happened. Please turn off the switch, and check whether the burner and copper core are well-positioned. Turn on the switch in half a minute after the check.

11. Each time of turn-on the switch should be no more than 20 seconds to avoid from deflagrating. If the switch cannot be turned on within five times, please contact the service immediately.

12. The children are prohibited to use the gas stove in the case of safety concern.

13. The installation and any maintenance should be taken only by the professionals.

14. Be sure to keep your head away from the burner while the operation of turn-on gas stove. Please turn off the valve of gas and switch of gas stove after the use to avoid from any possible accident.

15. Be sure to keep any heat conductor such as metal knife, fork or cover away from the heat.

## Important Safety Information



### General Information

THIS PRODUCT BELONGS TO THE EMBEDDED HOUSEHOLD GAS STOVE, YOUR SAFETY IS OF THE UTMOST IMPORTANCE TO ROBAM APPLIANCES CO.,LTD.PLEASE MAKE SURE THAT YOU READ THIS INSTRUCTION BOOKLET BEFORE ATTEMPTING TO INSTALL OR USE THE APPLIANCE. IF YOU ARE UNSURE OF ANY OF THE INFORMATION CONTAINED IN THIS BOOKLET, PLEASE CONTACT THE ROBAM APPLIANCES CO.,LTD.

- ◆ This appliance is designed for domestic household use and for the cooking and frying of domestic foodstuffs.
- ◆ **IMPORTANT:** The adjacent furniture and all materials used in the installation must be able to withstand a minimum temperature of 85°C above the ambient temperature of the room it is located in, whilst in use.
- ◆ Certain types of vinyl or laminate kitchen furniture are particularly prone to heat damage or discolouration at temperatures below the guidelines given above.
- ◆ Any damage caused by the appliance being installed in contravention of this temperature limit, will be the liability of the owner.
- ◆ Your new appliance is guaranteed against electrical or mechanical defects, subject to certain exclusio that are noted in ROBAM APPLIANCES CO.,LTD.conditions of guarantee. The foregoing does not affect your statutory rights.

- ◆ The use of this appliance for any other purpose or in any other environment without the express agreement of ROBAM APPLIANCES CO.,LTD.will invalidate any warranty or liability claim.
- ◆ You should not use this appliance to store items on or as a work surface.
- ◆ Do Not Modify This appliance.
- ◆ You should not store or place flammable or highly flammable liquids/materials on top of or near the appliance. Items made from aluminium, plastic or plastic film should also be kept away from the appliance, as they may fuse to the surface.
- ◆ Repairs may only be carried out by ROBAM APPLIANCES CO.,LTD.service engineers or their authorized service agent.

### General Safety

- ◆ Installation must be carried out by an AUTHORISED PERSON in accordance with the regulation in force.
- ◆ Care should be taken to ensure that the units and work surfaces that you build the appliance into, meet with The relevant standards.
- ◆ This appliance is not intended for use by persons(including children)with reduced physical, sensory or mental capabilities, or lack of experience and knowledge, unless they have been given supervision or instruction concerning use of the appliance by a person responsible for their safety.
- ◆ DO NOT USE OR STORE FLAMMABLE MATERIALS IN THE APPLIANCE STORAGE DRAWER OR NEAR THIS APPLIANCE.
- ◆ DO NOT SPRAY AEROSOLS IN THE VICINITY OF THIS APPLIANCE WHILE IT IS IN OPERATION.
- ◆ DO NOT MODIFY THIS APPLIANCE.
- ◆ DO NOT USE THIS APPLIANCE AS A SPACE HEATER.

### Child Safety

- ◆ ROBAM APPLIANCES CO.,LTD.strongly recommend that babies and young children are prevented from being near to the appliance and not allowed to touch the appliance at any time. During and after use, all surfaces will be hot.
- ◆ If it is necessary for younger family members to be in the kitchen, please ensure that they are kept under close supervision at all times.
- ◆ Older children should only be allowed to utilise the appliance when supervised.
- ◆ Children should be supervised to ensure that they do not play with the appliance.

### During Use

- ◆ Any film or stickers that are present on the hob surface when it is delivered should be removed before use.
- ◆ These instructions are only valid if the country symbol appears on the appliance.If the symbol does not appear on the appliance, it is necessary to refer to the technical instructions, which will provide the necessary instructions concerning modification of the appliance to the conditions of use of the country.

- ◆ Prior to installation, ensure that the local distribution conditions (nature of the gas and gas pressure) and the adjustment of the appliance are compatible.
- ◆ The adjustment conditions fro this appliance are stated on the label (or data plate).
- ◆ This appliance is not connected to a combustion product evacuation device.It shall be installed and connected in accordance with current installation regulations. Particular attention shall be given to the relevant requirements regarding ventilation.
- ◆ CAUTION: The use of a gas cooking appliance results in the production of heat and moisture in the room in which it is installed. Ensure the kitchen is well ventilated, keep natural ventilation holes open or install a mechanical ventilation device(mechanical extractor hood).
- ◆ CAUTION: This appliance is for cooking purposes only. It must not be used for other purposes, for example room heating.
- ◆ Prolonged intensive use of the appliance may call for additional ventilation, for example opening of a window or more effective ventilation, for example increasing the level of mechanical ventilation where present.
- ◆ Care should be used when utilising the appliance, otherwise there is a risk of burns being caused.
- ◆ You should not allow the electrical connection cables to come into contact with the hob surface when it is hot or any hot cookware.
- ◆ If fat and oil overheats, then it can ignite extremely quickly. For this reason, when cooking with fat and oil the appliance should not be left unattended.
- ◆ Make sure that all of the cooking zones are switched off after use.

CAUTION: "In case of hotplate glass breakage:

- shut immediately off all burners and any electrical heating element and isolate the appliance from the power supply
- do not touch the appliance surface
- do not use the appliance."

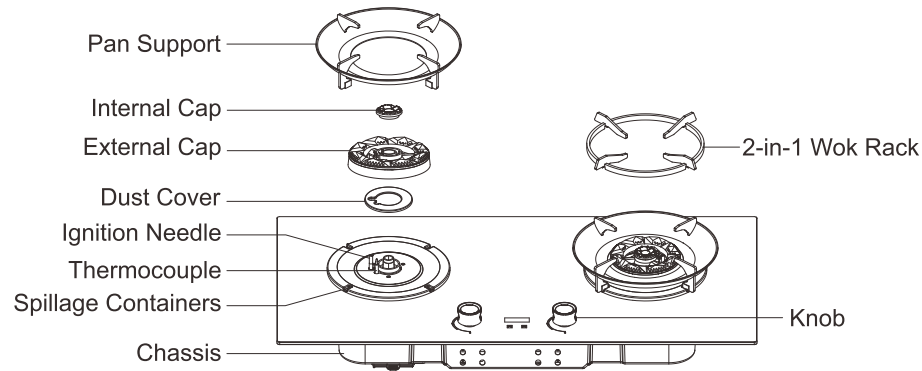
### ◆ Pan Diameter limits

Wok burner (5.0kW): 220mm~300mm

Warning the user against the use of cooking vessels on the hob that overlap its edges. The use of inappropriate hob guards can cause accidents.

## Product Structure

(For reference only)



## Product Parameter

Product Name	Gas Hob
Model	JZY-9B6H80
Category	I3B/P(30)
Gas Type	Butane (G30)/Propane (G31)
Rated Gas Pressure	28-30 mbar
Nominal Heat Input	Total: 10.0kW (728g/h) Left burner: 5.0kW (364g/h) Right burner: 5.0 kW (364g/h)
Gas Inlet Connection	φ 9.5mm special gas rubber gasket (G1/2" special metal gasket)
Product Size(mm)	860 × 450 × 149
Net Weight(kg)	14
Injector Dia. (mm)	0.95 & 0.48
Hob Element Number	2
Battery Supply	DC 3.0V
Panel	Tempered Glass
Size of Openings(mm)	650×350×R10
Ignition Method	Electronic Pulse
Flame Failure Safety Device	Yes

Note:

1. The parameters listed are for reference only. For exact specifications, please refer to the nameplate on the hob.
2. We reserve the right to make changes to the product design and specifications.
3. For a brand new installation, the recommended cutout size is 650mm×350mm (refer to Installation Instruction 8). For replacement installation, the adaptable cutout size range is 650~710mm × 350~400mm (refer to Installation Instruction 9).

## Installation Instruction

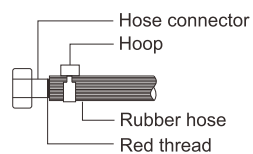
1. When the Gas Hob is installed, the distance from the combustibles is not less than 15cm, and the distance between the Gas Hob and noncombustible should be not less than 7cm; The Gas Hob and the above object should have a height of more than 100cm, If you want to install a Rang Hood, the height of 65cm-75cm from the Gas Hob is suitable. (This space is set up according to the installation requirements of the Range Hood).

2. The kitchen cabinet for built-in gas stove should be specially designed for the safety concern. The ventilated borehole should be suitable for the safety requirement and the size should be no less than 100cm<sup>2</sup>.

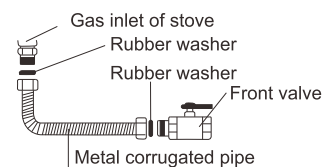
3. When the special gas tube is used, one side of the tube should be connected with the gas valve while the other side connected with the inflow side of gas stove. Please take off the cover on the connection point and put the tube to cover the red-mark point, and tighten it with the anchor ear. Be sure that the leaking test should be taken before use (Pic 1).

4. If connected using a G1/2" interface, the Ø9.5mm hose adapter must be removed. Place the rubber gasket on the interface, tighten the nut, and conduct a leak test. The appliance must not be used until no leakage is confirmed(Pic 2).

5. The fixing nut of the gas inlet pipe connection must not be loosened or adjusted arbitrarily.



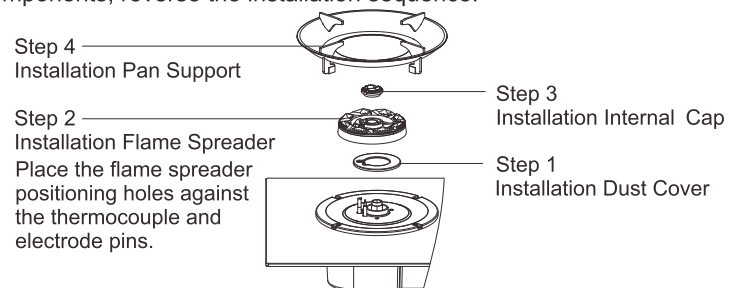
Pic 1



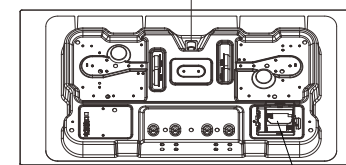
Pic 2

6. The qualified reduction valve should be used when the LPG is used as the source of the gas.

7. When installing the Dust Cover, External Cap, Internal Cap, and Pan Support, follow the steps below. Ensure all components are seated firmly and evenly without misalignment or tilt. After installation, verify that all parts are correctly positioned. To remove components, reverse the installation sequence.

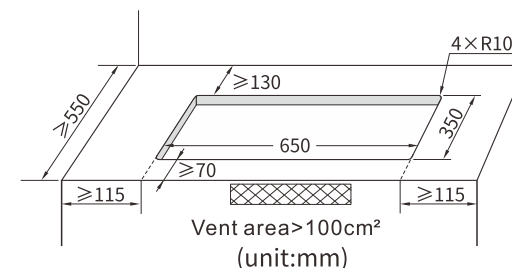


Bottom functional location diagram  
The position of the air inlet of the stove



Battery installation position

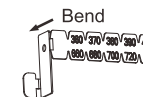
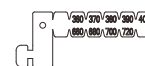
8. For brand new installation of this cooker, the recommended opening is 650mm x 350mm. The cooktop needs to be mounted on a sturdy, level cabinet countertop, and the holes should be cut according to the dimensional requirements shown, and the cooktop should be embedded in the holes and leveled.



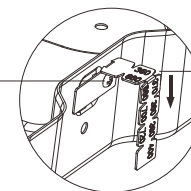
9. This cooktop can be referred to the following method if doing replacement installation. This cooktop can be adapted to a range of openings: (650~710)mm x (350~400)mm. If replacing the installation, install as follows, Take 660mm x 360mm opening for example

① The first step is for the installer to measure the actual size of the opening in the user's home and remove the restrictor.

② Bend the fixing ports of the limiters.



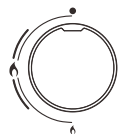
③ Lock this limit to the chassis sidewall hole using a screw.



④ Bend the bending opening one compartment to the right of the dimensions shown for the restrictor downward according to the actual opening size.  
Note: Printed dimensions face up.

## Use Instruction

1. Check that the burners, pot holders, etc. are in place; verify the position of the knob switches (Pic 3), and then turn on the gas supply valve.
2. Ignition method: press and rotate the knob switch, you will hear a continuous "pop" pulse ignition sound, rotate 90 degrees counterclockwise (Pic 4), to complete the above steps, if there is a flame, you can rest assured that you can use it; if there is no flame, repeat the above steps. Counterclockwise and then rotate 90 degrees is a small fire (Pic 5).



Pic 3



Pic 4



Pic 5

REMARKS: The first ignition or that of the first reuse of the gas stove may not work immediately, because there is air in the tube, it needs to be operated repeatedly.

3. SWITCH-OFF: Turn the switch to the position clockwise (Pic 3) and the fire will be switched off.
4. FIREPOWER CONTROL: Operate according to the instruction mark.

## Control Panel Operation Instructions



Touch Timer Button (-) ————— Touch Timer Button(+)

- Low battery reminder icon: will light up when the battery power is too low, users are advised to replace 2 x 1 size 1.5V alkaline batteries as soon as possible.

## Combustion Timing Setting

Setup Steps:

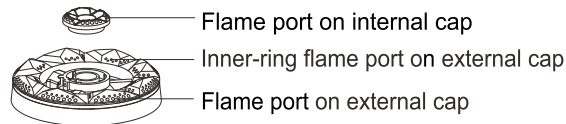
1. When the corresponding burner of the gas cooker is in combustion state, long press the "⏪" key or "⏩" key to enter the timer setting state, the display defaults to 15 minutes.
2. Press "⏪" key or "⏩" key again to adjust the timing time (time range 1-180 minutes), no operation for a few seconds after the automatic confirmation of timing, and start counting down to show the remaining time.
3. When the timer reaches the last 1 minute, beep prompted once, when the countdown reaches the last 30 seconds, and then beep prompted once, when the end of the timer, the display shows 0, corresponding to the stove flameout, beep prompted several times, the display shows "--" a few seconds after the extinction. (If the knob is not returned to the position, every 5 minutes the beep prompted once, the user will return the knob to the position, such as knob return to the position of the beep is no longer beeping to remind.)

Note:

- During time adjustment, short press the "⏪" key or "⏩" key to decrease or increase 1 minute, and long press to rapidly decrease or increase.
- The display shows the remaining timer time in minutes, with less than 1 minute counted in seconds.
- In the timed working state, you can short press the timer key to enter the timer setting state and display the remaining working time. Long press the Timer key for 1 second to cancel the timer function of the corresponding stove.
- Press and hold down the "⏪、⏩" key combination at the same time in the timer confirmation to cancel the furnace timer function.

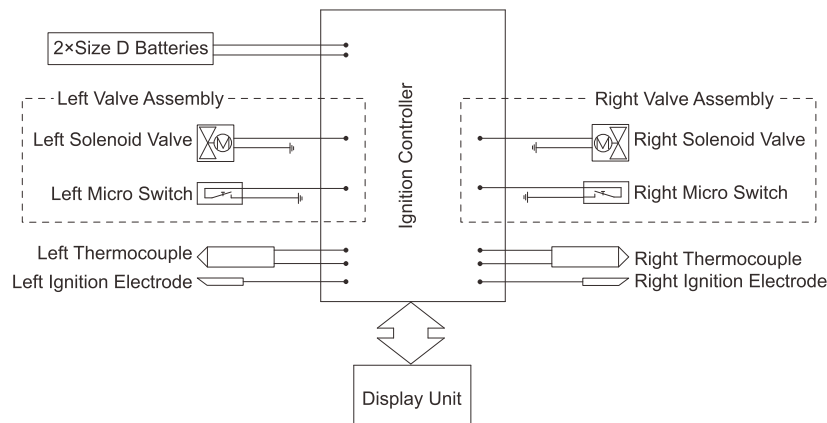
## Clean and Maintenance

1. Please dispose of the dry batteries used in the product properly after the power is exhausted to avoid pollution to the environment.
2. This product uses packaging materials that are suitable for the environment and easy to recycle. Please handle the packaging materials carefully and responsibly to save raw materials and reduce waste.
3. Do not allow children to play with packaging materials such as plastic film and cardboard boxes, which may cause choking accidents, so keep packaging materials away from children.
4. Care of the surface of the cooker: please use a neutral detergent-soaked cloth to wipe, and then wipe with a dry cloth, do not use a steel wire brush or other hard objects to clean.
5. In order to keep the stove in normal use and good combustion state, must often use the brush and steel needle to dredge the fire hole (groove), remove the dirt on the burner, so as to avoid the fire hole (groove) clogged backfire and damage to the stove, do not use water to wash.
6. Frequently check whether the burners, etc., are shifted or deviated; if so, they must be corrected (they must be placed in place) in order to avoid accidents.



(For reference only)

## Electrical Schematic



## General Troubleshooting

Problem	Possible Reason	Measurement		
Ignition Failure	Gas Valve is not open	Turn off the control switch Then turn on the gas valve		
	Air exists in gas pipe	Exhaust the air by igniting repeatedly		
	The rubber tube is twisted or blocked	Straighten, clean or replaced the rubber tube		
	Ignitor malfunction or the electrode needle in wrong position	Adjust the electrode needle to burner, keep the distance 4mm		
	Without battery, put battery oppositely or power insufficiency.	Install the battery collectly or replace the battery		
The burner is not work when loosen the knob	The inner cap or outer cap is incorrectly positioned.	Reposition the inner and outer caps correctly according to the diagram.		
	Time to press On/Off switch is too short.	Press the knob firmly (to the bottom) and release it.		
Gas leakage (gas smell)	Switch is not closed completely.	Turn off the switch		
	The rubber tube is not connected or cracked.	Connect rubber tube or replace it		
Burning abnormal or sounding noise	Burner is blocked	Clear away the block		
	The gas used here is not consonant with the required in the nameplate.	Choose the cooktop properly		
	Gas pressure is unstable, water in the rubber tube.	Get rid of water in the rubber tube		
Battery icon blinking	Low battery	Please replace the battery		
trouble code	E 1	Ignition was unsuccessful	Check the possible causes for "Burner won't ignite" listed above. If the problem continues after checks, contact after-sales service.	
	E 2	stall unexpectedly	Unsteady flame	Reduce external influences (e.g. windy, more condensation at the bottom of the pan, etc.)
			Fire hole blockage	Clean up as required by the Cleaning and Maintenance Notes
			Thermocouple open circuit	Please call the after-sales service
	L 0	Battery voltage undervoltage protection	Please replace the alkaline batteries, if the fault occurs again, please call the after-sales service number	
E 9	Solenoid valve control abnormality	Please call the after-sales service		

## Attachment

1. One copy of the Operation Manual
2. Two pieces of anchor ear (except for metal soft pipe)
3. Two Size D Batteries (in packing foam)
4. One copy of Installation templet
5. One 2-in-1 wok rack
6. One set of limiters