

Edition: A/0

Publication Date: December 03, 2025

# ROBAM



## User Manual

Before operating this unit, please read the user manual completely and keep it. If the manual is lost, you can send e-mail to [overseas@robam.com](mailto:overseas@robam.com), request for an electronic manual.

## CXW-260-78H1S

### Range Hood

# CONTENTS

Safety Precaution.....1

Important Information.....5

Product Description.....5

Packing List.....6

Installation.....6

User Manual.....9

Maintenance.....12

Removal of Components.....12

Circuit Diagram.....16

Troubleshooting of General faults.....17

Dear users:

Thanks for your purchase our range hood. Please accept our best regards. Please read this user manual carefully before installing and using, and keep it well for future reference.

\*The images in this manual are for reference only. If the images differ from the actual product, please refer to the actual product. Our company is constantly improving the appearance and structure of our products, so we will not notify you of any changes to this information due to product improvements.

## Safety Precaution

They are important safety precaution, please comply strictly based on the full understanding.

1. Don't allow children or weakling to use range hood separately, or it may cause electric shock or other accident.
2. Prohibit water on motor, switches or other electric parts; Prohibit wash range hood by water spray. Don't use range hood if wet or it may cause electric leakage or shock.
3. Don't change, stretch, bind or press electric wire, or it's possible to cause electric shock or fire because of broken wire.
4. Prohibit any change of interior circuit, or it may cause injury or other danger, for example, electric shock or fire.
5. Don't touch plug, electric parts or button by wet hands, or it may cause electric shock.
6. Unplug before cleaning, installing or maintaining, avoiding from electric shock.
7. Please turn off range hood immediately if pan got fire (range hood shall aggravate fire if it's working) and extinguish fire by effective action. For example, cover flame by metal cover, turn off gas valve immediately and remove inflammable things.
8. Any abnormal, please turn off power, take off plug or cut off electric source, and contact service. It's possible to cause electric shock or fire if using range hood under abnormal situation.
9. Range hood must be installed, disassembled or maintained by professional person.

10. Stove fire shall be extinguished timely when it is not used; Do not flambe under the range hood and it's prohibited to bake food under range hood directly to prevent range hood from damaging and causing accidents.

11. Don't touch bulb if it's on or just close in short time, or it may cause scald.

12. In order to ensure safety, range hood must be installed by specific accessory (especially expansion pipe and wooden screws, or it may cause accidental drop of range hood). The pipe bore and hole must fit tightly during the installation of metal expansion pipe. It is prohibited to make excessively large hole to prevent accidental drop of loosening expansion pipe.

13. The range hood must be used by specific plug and properly ground it. It's possible to cause electric shock, hot plug or fire because of improper electric wire. Installation must be executed by professional person based on local electrical regulations. Before connect electricity, power must be turned off.

14. If the supply cord is damaged, it must be replaced by the manufacturer, its service agent or similarly qualified persons in order to avoid a hazard.

15. All operation must comply with our safety guidelines as well as local safety regulations.

16. There shall be adequate ventilation of the room when the range hood is used at the same time as appliances burning gas or other fuels.

17. This appliance just for household use only. And it's not allowed to exhaust dangerous or explosive matter or air. It should be put under dry and ventilation environment without dangerous air.

18. The range hood and electric circuit must be installed by skilled and trained personnel with required qualification. When installation, the related regulation, standard or instruction on fire must be complied. It may cause danger because of improper installation, for example, electric shock, drop or fire accident.

19. The outlet must be connect with outside. In order to ensure safety and fresh air, waste gas should be exhaust to outside. Don't exhaust waste gas to the wall, loft or garage.

20. There is a fire risk if cleaning is not carried out in accordance with the instructions.

21. Keep a good habit to turn off gas hob and gas valve if go outside, sleep or finish operation. Replace or check gas pipe regularly, since gas alarm device can't completely avoid accident caused by gas leakage.

22. This appliance is not intended for use by persons (including children) with reduced physical, sensory or mental capabilities, or lack of experience and knowledge, unless they have been given supervision or instruction concerning use of the appliance by a person responsible for their safety. Children should be supervised to ensure that they do not play with the appliance.

23. The minimum distance between the supporting surface for the cooking vessels on the hob and the lowest part of the range hood. When the range hood is located above a gas appliance, this distance shall be at least 650mm. If the instructions for installation for the gas hob specify a greater distance, this has to be taken into account.

24. Range hoods and other cooking fume extractors may adversely affect the safe operation of appliances burning gas or other fuels (including those in other rooms) due to back flow of combustion gases. These gases can potentially result in carbon monoxide poisoning. After installation of a range hood or other cooking fume extractor, the operation of flued gas appliances should be tested by a competent person to ensure that back flow of combustion gases does not occur.

25. The range hood is only intended to be installed over a hob with no more than four hob elements.

- 26.The air must not be discharged into a flue that is used for exhausting fumes from appliances burning gas or other fuels, the discharge of air must fulfill the requirements of local regulations.
- 27.Before removing range hood for installation, clean or maintainance, power must be cut off avoiding from electric shock. When installation, clean or maintainance, protective gloove must be wear avoiding from injury.
- 28.The temperature for range hood working can't exceed 40°C.
- 29.Because the installation is difficult and hood is heavy, the installation shall be executed by professional person based on manul.
- 30.Don't break electric wire or other invisible equipment when cutting something or drilling holes on ceiling.
- 31.When range hood is using in well sealed building, it should have air inlet or open door to ensure good ventilation.
- 32.When the oil exceeds 2/3 or near tick mark in the oil cup, clean it in time. Don't eat waste oil from oil cup.
- 33. The wall of installing range hood needs enough strength. For hollow walls, the thickness of solid layer of hollow wall must be more than 30mm, but for concrete walls, it can be drill holes directly. The range hood must be fixed on the wall firmly.
- 34.CAUTION:Accessible parts may become hot when used with cooking appliances.

**DISPOSAL:** Do not dispose this product as unsorted municipal waste. Collection of such waste separately for special treatment is necessary.



This product must not be disposed together with the domestic waste. This product has to be disposed at an authorized place for recycling of electrical and electronic appliances.

By collecting and recycling waste, you help save natural resources, and make sure the product is disposed in an environmental friendly and healthy way.

### Important Information

#### Package of Range Hood

Please settle those packages carefully in order to protect environment. Don't allow children to play plastic film and package, it may cause asphyxia. Please avoid children near package material.

#### Before use Range Hood

This range hood exhaust fume outside. Please read this manual and all information carefully before installation and operation. Please comply with our suggestion. If it's necessary, please read manual for gas hob. And please keep these manual carefully for future reference. If range hood has obvious damage, please don't electrify and contact operator.

### Product Description

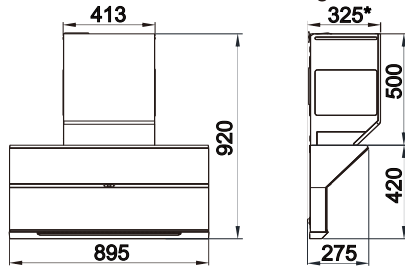
#### Technical Data

Model	CXW-260-78H1S	Noise	47dB(A)
Rated Voltage	220-240V~	Rated Power Input	264W
Rated Frequency	50-60Hz	Rated Main Motor Power Input	260W
Max static pressure	1500Pa	Turbo Power	504W
Turbo Airflow	1890m <sup>3</sup> /h	Lamp Power(max)	2W×2
Net Weight	30.5kg	Dimension (L×W×H)	(895×325×920)mm

1. The performance test results are all in 230V~ 50Hz power supply environment. The noise in according to IEC 60704.
2. The determined value of max static pressure,airflow shall not be less than 90% of declared value.
3. The noise declared value shown is A weighted sound pressure level.

**Body Size**

The marked sizes are for reference only, the depth dimension includes machine feet.  
 Note: The inside dimensions of the cabinet should be larger than the dimensions with \*.  
 (Unit: mm)



**Packing List**

Please check the items in the container upon unpacking

Packing List	No.	Name	Quantity	No.	Name	Quantity
	1	Range hood	1	5	Oil cup	1
2	Ø185 (outer diameter) aluminum exhaust pipe	1	6	Pothead	1	
3	User manual	1	7	Accessory packs	1	
4	Check valve	1				

**Installation**

**Preparation for installation**

● **Surrounding**

Keep the hood away from too many doors and windows, so as to avoid air convection affecting the efficiency.

● **Tools preparation**

The hood will be installed with the following tools  
 1. an impact drill (with drill bit); 2. a wrench; 3. a screwdriver; 4. a ruler

**Notice**

- Do not expose the hood if your kitchen is under renovation, because construction materials, dusts, paint, coatings, and emitted gases will corrode and tarnish the hood surface. Therefore, it is recommended to install it after the renovation is completed.
- If you need move the Gas Hob before installing the Range Hood, please close the main valve before moving the Gas Hob.
- Don't install the hood on wood and other combustible walls. The wall shall be made of noncombustible materials with enough strength and the surface shall be flat.
- Do not install the hood at a too high position as well as keep the hood free from disturbance of ambient airflow lest the reduction of smoke pumping effect shall occur.

- When making cabinet, please leave space for installation and disassembly of the hood in order to maintain and overhaul the hood.
- When installing, please keep the machine body remain horizontal.
- After installation, please clean the surface of the hood, and then supply power for test run.

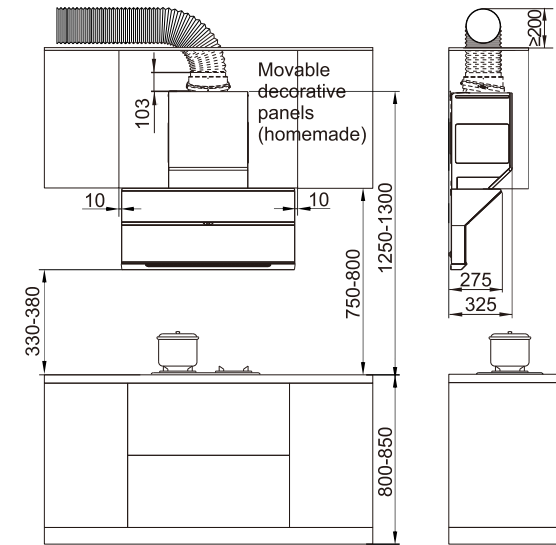
**Installation**

Note: All data in synoptic diagram below are recommended dimensions, and units are expressed in mm.

● **Determine the position**

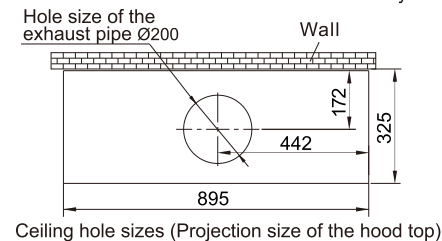
Cabinet prep dimensions as shown in Fig 1, to ensure a good operating experience, it is recommended that the top of the fume hood is flush with the bottom of the suspended cabinet. The drilling size of the ceiling is shown in Fig. 2, and the socket position is recommended to be installed above the ceiling. Note: If the partition is installed at the bottom of the hanging cabinet, the depth of the opening is reserved for size 255mm-265mm.

Figure 1



Cabinet dimensions are for reference only

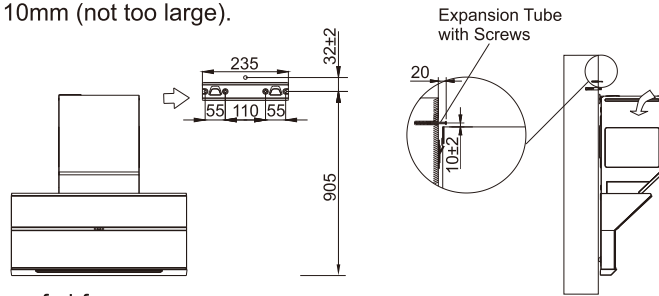
Figure 2



Ceiling hole sizes (Projection size of the hood top)

● **Install pothook:** According to the size of the feet in the corresponding position on the wall, with a diameter of 10mm drill bit drilling depth of 60mm-70mm four holes (not too large), the expansion tube will be pressed into the holes, and then with the randomly equipped 4 cross countersunk head wood screws to hang the feet fixed reliably. At a distance of 32mm from the height of the four holes, drill a hole with a diameter of 10mm (not too large).

Figure 3



● **Installation of airframes**

Fix the air outlet seat as shown in Fig. 5, then press and slide the hanging hole at the rear of the body into the hook of the hanging foot as shown in Fig. 3, and shake the body by hand to see if it is hanging firmly. When the body is installed in place, use 4.2 x 80mm screws to screw into the holes at 32mm, with the end of the screws spaced about 20mm from the wall.

**Install the aluminum foil exhaust pipe**

● **Drilling position of the aluminum foil exhaust pipe (public flues do not require drilling)**

- a. aluminum foil exhaust pipe and hob facing the window: Remove one of the glasses and install a plywood with ventilation holes or punch directly on the glass.
- b. Hob away from the window: Install the aluminum foil exhaust pipe through the window that is close to the hob and connected outside; or install it by punching on the wall that is close to the hob and connected outside.
- c. Drill hole through the wall: Determine the location of the aluminum foil exhaust pipe against the wall and draw the drilling range (i.e. a circle slightly larger than the pipe OD). Then use a long drill bit to drill through the wall. Pay attention to the wall structure and material, so as not to destroy other parts of the wall.

● **Link the aluminum foil exhaust pipe**

Straighten the aluminum foil air duct first, put the end without air duct fixing strip over the public flue interface and tape it (if there is no public flue, please pull the air duct directly to the outdoor). When the public flue connector or wall hole is bigger than the aluminum foil duct, it can be connected directly; when it is smaller than the duct, you can choose the duct connector. Connect the aluminum foil duct first.

The ductless fixing strip is taped to the duct connector at one end and then connected to the communal flue connector. The small end of the duct connector is available in 140mm, 150mm, 160mm, 170mm and 180mm OD sizes. The excess part of the duct connector that is smaller than the public flue connector or wall hole can be cut off according to the actual situation.

Then, insert the end of the aluminum foil duct with the duct fixing strip onto the outer ring of the outlet seat interface, fix it with 3 short self-tapping screws in a distributed manner, and seal it with duct tape. Then, put the air outlet seat interface into the air outlet seat, pay attention to first align the arrow on the air outlet seat interface with the arrow 1 on the air outlet seat, and then rotate it clockwise to the arrow 2, so as to make a firm connection between the air outlet seat and the interface.

Figure 4

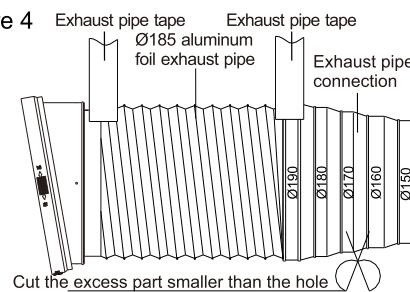
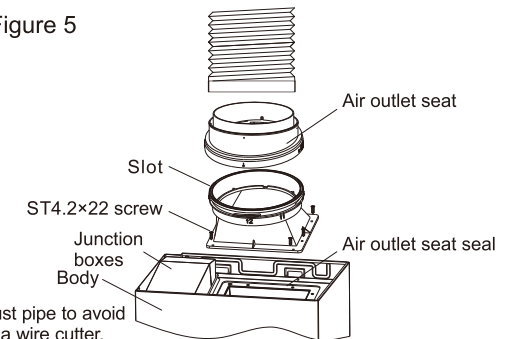


Figure 5



Note: During installation, straighten the aluminum foil exhaust pipe to avoid noises in semi-stretched state. Excess part may be cut with a wire cutter.






**The exhaust wall hole diameter shall be close to that of the exhaust pipe, which shall not be too small. Otherwise, it will cause poor exhaust efficiency, more noises and lower volume, etc. The connection between the pipe and the hole or the public flue must be sealed tightly to ensure that the pipe and the check valve or public flue is connected securely. The blades at the public flue connection must be flexible. Recommendation: When the range hood is matched with the anti-smoke back check valve, there is no need to install the range hood with its own check valve blade. If the use of the self-contained air outlet seat blade, in the switching machine may appear blade open and close the sound, is a normal phenomenon.**



User Manual

Switch control panel



Turn on the power, the buzzer sounds to indicate the power-on state.

	<p>Press the power key to enter the power-on state, the power icon lights up, and the lighting and auto functions are automatically turned on.</p> <p>① In the fan not running state, press the power key to enter the shutdown state;</p> <p>② In the fan running state, press the power key, the hood into the delayed shutdown state, 1 minute after the automatic shutdown of all functions; in the delay process, press the lighting key, the wind volume gear key, long press the cleaning reminder key can be canceled delayed shutdown, if you press the power key, then shut down all the functions.</p> <p>③ Only the power key on state, after 3 minutes without any operation, it will enter the shutdown state.</p>
	<p>In the power on state:</p> <p>① Press the turbo key, the turbo icon lights up, the fan starts the turbo gear (the display shows 9), and automatically switches to the high gear after nearly 3 minutes, the turbo icon goes out and the high gear icon lights up (the display shows 6);</p> <p>② Press the turbo key in the turbo operation state, the turbo gear icon goes out, the fan stops working and enters the standby state.</p>
	<p>Power on state only:</p> <p>① Press the high key, the high icon lights up and the fan starts to working in high gear (the display shows 6);</p> <p>② Press the high key again, the high icon goes out, the fan stops working and enters standby mode.</p>
	<p>In the power on state:</p> <p>① Press the low key, the low icon lights up, and the fan starts working in low gear (the display shows 3);</p> <p>② Press the low key again, the low icon goes out, the fan stops working and enters standby mode.</p>
	<p>① Press the auto key to turn on or off the auto function when the power is on or off. When the power key is turned on, the auto function is turned on by default. Pressing other airflow control keys will turn off the auto and run according to the manual control gear.</p> <p>② When the auto is on, it can automatically turn on the machine to open the air volume and lighting when the demand of air volume gear is detected, and it can automatically turn off the machine when the demand of no air volume gear is detected, and the auto function is not turned off.</p> <p>③ Press and hold the auto key and turbo key at the same time in the off state to turn the auto linkage switch function on or off. After the linked switch function is turned off, you need to manually press the power key to turn on and off the hood, and the auto function will not be turned on automatically after manually turning on the hood, and the auto key cannot be operated in the off state.</p>

	<p>In the on or off state, press the lighting key to turn the light on or off. Long press and hold the turbo+lighting keys at the same time in the power on state to set whether the power on is on illumination by default or not.</p>
	<p>The cleaning reminder icon flashes to remind the user to clean the filter when the hood has run for a total of 60 hours, at which point:</p> <p>① Long press the cleaning reminder key, the cleaning reminder icon will light up, and enter the cleaning mode (the fan stops, the lighting and the wind guide plate open, except the cleaning reminder key and the lighting key, the rest of the keys are invalid). Users have to clean the filter by themselves, after cleaning, long press this key to exit the cleaning mode, the accumulated time is cleared to zero.</p> <p>② If the user does not clean in the cleaning reminder state, the icon will keep flashing in the power on state to remind the user to clean. If the hood has not reached 60 hours of cumulative operation, you can also enter cleaning mode by long-pressing the cleaning reminder key.</p>
Linkage Function	<p>When the power key in the on state, long press the lighting key+R-link key at the same time, chirping beep and go into the range hood and cooktop linkage pairing state, pairing process icon flashing, connecting successfully, the icon maintains a few seconds long bright and turn off.</p> <p>At this time.</p> <p>① Cooker ignite, if the range hood is not turned on the airflow, then start the high gear;</p> <p>② Cooker off (all stove are off), then the range hood off (if the cooker is off when the range hood has been turned on the air volume, then enter the delayed shutdown function).</p> <p>After a successful connection, long press the R-link key+cleaning reminder key at the same time, the connection is disconnected.</p>

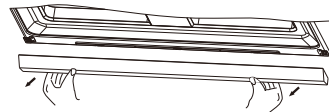
Notes To ensure a better experience of using the smart sensing function, it is recommended that you:

1. Installation should be carried out in strict accordance with the dimensional tolerances and other requirements indicated in the instruction manual;
2. Recommended for use with two-eye gas stoves;
3. Select pots and pans with a diameter of >24cm and a height of <15cm;
4. Clean the stains on the glass surface of the temperature sensing module in time;
5. Intelligent sensing function has a certain misrecognition rate, such as the use of stainless steel pot lid or wooden pot lid, may lead to switching on and off the machine for a longer period of time and other issues. If the automatic control does not meet your needs, you can always control it manually;
6. When high temperatures are detected, the hood prompts an urgent beep.
6. When high temperatures are detected, the hood prompts a sharp beep.

### Maintenance

#### Notice

- The hood shall be cleaned and maintained regularly depending on the surroundings, so as to keep its cleanness & efficiency and extend its service life. We recommend that: Clean the outer surface of range hood after each cooking. To ensure smooth discharge of fumes, the protective screening shall be cleaned regularly according to actual situations. Be careful to avoid damage when cleaning.
- It is recommended to use a neutral detergent to clean instead of strong detergents, and dry with a soft cloth. If your range hood is a mechanical switch, you should also avoid detergent touching each control key.
- Do not allow stains to stay on the surface of the hood for too long.
- Please do not use cleaning balls, brushes and other rough objects to clean the hood to prevent the body surface from scratching.
- When cleaning or maintaining the hood, please wear protective gloves to prevent wounding during wiping.
- Please check and clean the oil cup regularly by squeezing the cup with both hands as shown on the right and pulling it outward to pour off the waste oil.
- The range hood shall be started before cooking.
- Please unplug it during long-term shutdown, but please do not pull hard.



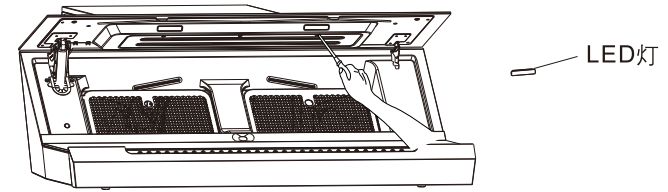
### Removal of Components

Note: The installation procedures of the following components are in reverse with the removal. Please wear protective gloves during operation to prevent the sharp edge of metal hurting your hands.

⚠ The disassembly must be carried out by professional personnel, and users are not allowed to carry out the disassembly. Before installation or disassembly, the power supply must be cut off to avoid electric shock.

### Removal of lamp

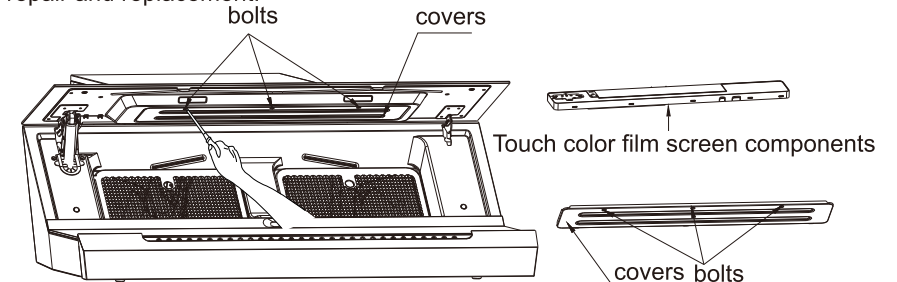
- Long press the cleaning reminder button to enter the cleaning lock state, so that the air guide plate is open, and then unplug the power supply.
- Insert a screwdriver into the gap of the LED lamp circumference and pry out the LED lamp for repair and replacement.



Lamp image	Lamp information	
	Lamp Type	Rectangular LED
	Max Power	2W×2
	Voltage	12VDC
	Dimension	See the lamp image

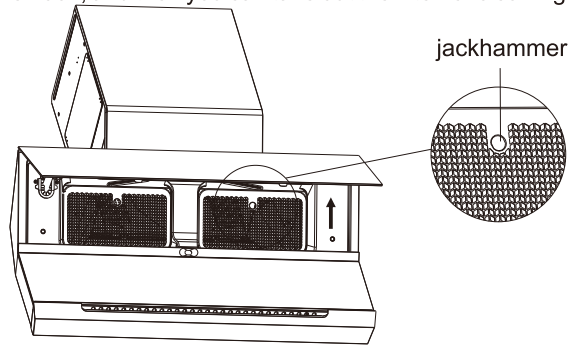
### Touch color film screen assembly disassembly

- Long press the cleaning reminder button to enter the cleaning lock state, so that the air guide plate is open, and then unplug the power supply.
- Use a Phillips screwdriver to unscrew the three screws at the rear of the air guide and remove the cover.
- Remove the touch color film screen assembly and unplug the connecting wires for repair and replacement.




### Removal of filter

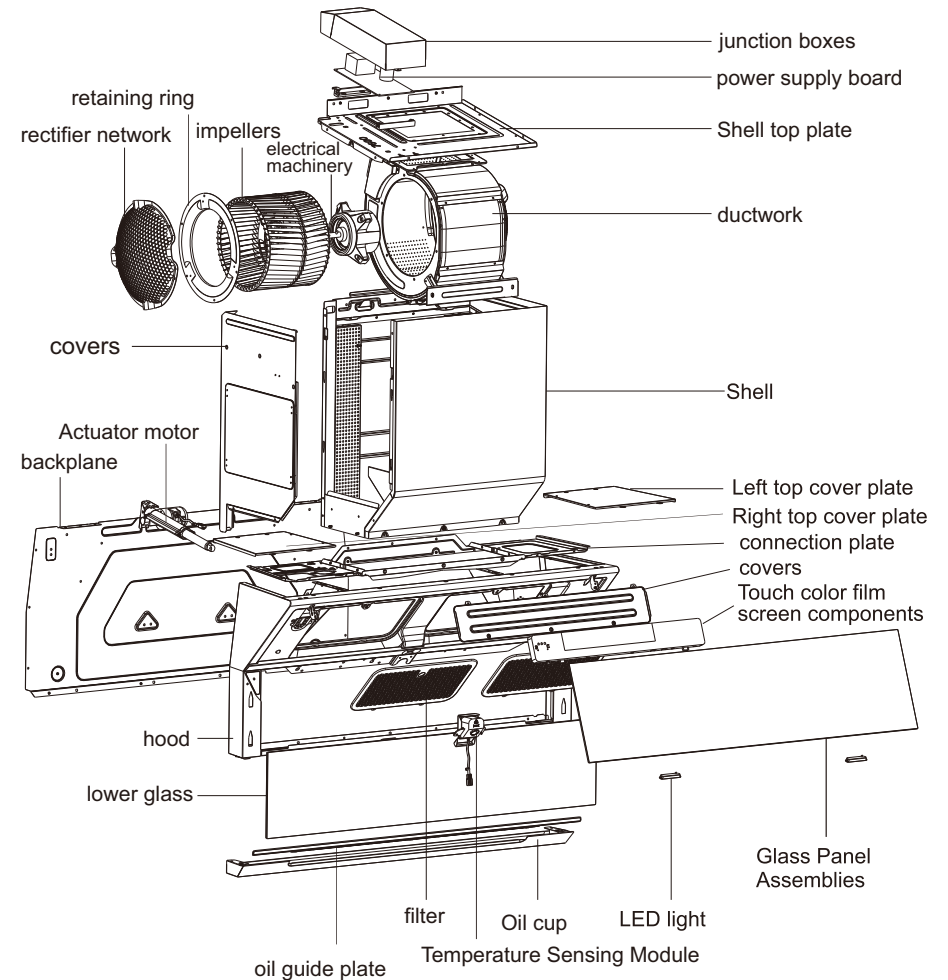
- Long press the cleaning reminder button to enter the cleaning lock state, so that the air guide plate is open, and then unplug the power supply.
- Pull the portable hole on the filter with your finger and slightly force it outward so that the filter is no longer sucked in, then lift the filter in the direction of the arrow so that the filter is free from the hook, and then you can take out the filter for cleaning.



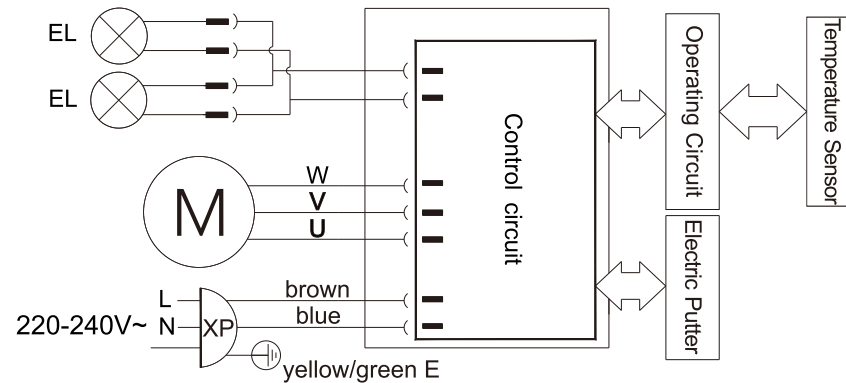
### Removal the whole range hood

1. Unplug the power supply, remove the oil cup and take off the whole machine;
2. Remove the lamp, switch and filter according to "Lamp Removal", "Switch Removal" and "Filter Removal" respectively;
3. Unscrew the screws at the bottom of the hood to remove the oil guide plate, then unscrew the remaining screws at the bottom to remove the lower glass. Glazed components;
4. Use a Phillips screwdriver to unscrew the screws on the top cover plate and remove the top cover plate;
5. Use a Phillips screwdriver to unscrew the retaining screw on the retaining ring and remove the ring;
6. Turn down the cap clockwise and take out the impeller vertically (The damping pad and impellermotor assembly can be removed after the screws on the retaining ring). The mounting procedure is the reverse of the dismantling procedure. (When putting on the impeller, please smear some lubricant in the shaft hole of the impeller.)

 The body does not need to be disassembled under normal circumstances. Disassembly is to be done by specialized maintenance personnel.



Circuit Diagram



Troubleshooting of General faults

Serial number	Fault	Cause	Solution
1	No response after pressing any icon (e. g. the impeller does not rotate, or the light is off)	The power plug is not connected properly or there is power failure	Plug in the power plug
2	Pressing the lighting icon, the headlamp is not lit	The light is damaged or poorly connected	Replace the light or plug in the plug
3	Induced current exists on the hood body may paralyze hands	The power socket is not grounded well	Use single-phase three-pole socket and well grounded
4	Abnormal sound during impeller running	The impeller is loose, and the cap is not tightened	Tighten the cap
5	No oil in the oil cup after a period of time	The hood body is tilt	Adjust the hood body to the horizontal state
6	Abnormal sound during impeller running	The impeller is loose, and the cap is not tightened	Tighten the cap
7	No oil in the oil cup after a period of time	The hood body is tilt	Adjust the hood body to the horizontal state
8	Listen during the opening of the glass panel to a few beeping alerts, or The glass panel won't open at all	Failure of the motorized actuator drive circuit. or motorized actuator failure or poor contact with motorized actuator wires	Contact Specialty maintenance personnel
9	Warm Feeling Icon Flash	Intelligent Temperature Sensor Damage or communication abnormality	Contact Specialty maintenance personnel
10	When temperature sensing is on, the Buzzer sounds an urgent alarm	The sensor detects an over Overheating alarm temperature	Check underneath the hood Availability of high temperature substances The body is cooled down in time