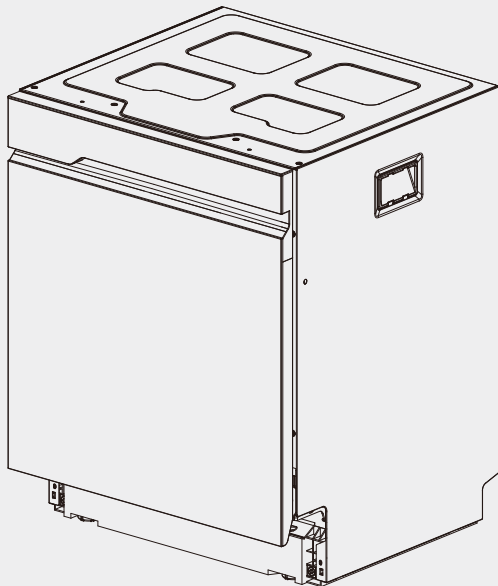


ROBAM



User Manual

Before operating this unit, please read the user manual completely and keep it. If the manual is lost, you can send e-mail to overseas@robam.com, request for an electronic manual.

W658
Dishwasher

CONTENT

SAFETY PRECAUTIONS.....	1
PRODUCT INTRODUCTION.....	2
INSTALLATION INSTRUCTIONS.....	4
OPERATING INSTRUCTIONS.....	8
MAINTENANCE AND CARE.....	15
TROUBLESHOOTING.....	16

SAFETY PRECAUTIONS

The following are important safety-related matters. Please read and strictly comply with them, and use the product correctly on the basis of a full understanding of the content. The company shall not be liable for any property damage or personal injury caused by improper use of this product.

- This appliance is not intended for use by persons (including children) with reduced physical, sensory or mental capabilities, or lack of experience and knowledge, unless they have been given supervision or instruction concerning use of the appliance by a person responsible for their safety.
- Children should be supervised to ensure that they do not play with the appliance.
- The maximum operating altitude of the appliance is 4000m.
- This appliance incorporates an earth connection for functional purposes.
- If the supply cord is damaged, it must be replaced by the manufacturer, its service agent or similarly qualified persons in order to avoid a hazard.
- For how to fix the appliance on its support, please refer to the "Installation Instructions" in this manual for details.
- Maximum inlet water pressure: 1.0MPa; Minimum inlet water pressure: 0.1MPa.
- Use the new hose assembly supplied with the appliance; the old hose assembly shall not be reused.
- **WARNING:** When the appliance door is open, do not lean or sit on the door. Please close the door use. The door should not be left in the open position since this could present a tripping hazard;
- **WARNING:** Knives and other utensils with sharp points must be loaded in the basket with their points down or placed in a horizontal position.
- For how to load the dishwasher, please refer to the "Operating Instructions / Loading Utensils" in this manual.
- The maximum capacity of personal tableware for washing is 22 settings.
- This appliance is intended for household and similar use only, and shall not be used in the following scenarios: staff kitchen areas in shops, offices and other working environments; farm houses; guest rooms in hotels, motels and other residential environments for customer use; bed and breakfast accommodation environments.
- During use, fully insert the power plug of the household appliance into the power socket, and maintain good contact between the power plug and the socket.
- When an extension cord socket is required, please use an extension cord socket that meets the national standard requirements; the total rated current of the household appliances connected to the extension cord socket shall not exceed the rated current of the original fixed socket or circuit.
- Please turn off the power when leaving the site.
- If the product makes abnormal noise, emits peculiar smell, has abnormal high temperature or malfunctions, please stop using it immediately, turn off the switch, and cut off the power supply.
- Do not draw power for household appliances from a lamp holder with a socket.
- This product shall not be used near flammable and explosive materials or in similar environments.
- Users shall not disassemble the household appliance without authorization, and shall not alter the internal wiring, components and protection devices of the appliance.
- Do not apply tension to the power cord when unplugging it from the socket.
- Users shall not replace the fuses of household appliances and power supply with ordinary conductors or fuse bodies exceeding the specified current rating.
- Users shall not change the set values of low-voltage circuit breakers or residual current operated protective devices without authorization.
- Please do not use loose or poorly connected power sockets, otherwise it may easily lead to electric shock, short circuit, fire and other hazards.
- Do not use other chemical solutions in the appliance, which may trigger an explosion.
- Do not place any items that may cause hazards in the appliance.
- It is forbidden for unattended infants and disabled people to use this appliance, and children are prohibited from playing with the appliance.
- Do not splash water on the appliance body, which may lead to fire and electric shock.
- When pulling out the plug from the socket, you must hold the plug body to pull it out. Do not pull the plug by holding the power cord, otherwise electric shock, short circuit, fire and other hazards are likely to occur.
- Do not open the appliance door during operation, especially during the heating stage. If opened, you may be scalded by steam or splashed by hot water. The appliance is equipped with a safety system, which will stop operation immediately once the door is opened.
- Detergents contain irritant and corrosive substances. Such substances are corrosive to eyes, mouth and throat. Ingestion may cause extremely serious consequences. Avoid contact with skin, eyes and mouth.
- Do not alter or attempt to alter the characteristics of the product, otherwise it may cause danger to you.
- Keep the whole appliance away from heat sources, and flammable materials such as gas and alcohol.
- Use a separate 10A or above socket. Do not use the same power socket for multiple electrical appliances at the same time, and ensure that the socket is safely and effectively grounded.
- If replacement of any parts is required, original spare parts must be used.
- Do not damage the power cord. Do not bend, stretch, twist or knot the power cord during use. Do not press or clamp the power cord with heavy objects.

ROBAM | Dishwasher

- If the appliance malfunctions, do not attempt to repair it by yourself. Repairs performed by unqualified personnel may result in failure of the control functions or even more severe damage.
- The water inside the appliance during operation is not for drinking. Therefore, keep children away from the appliance when its door is open.
- Before performing any maintenance or repair work on the appliance, please disconnect the power supply and turn off the water supply.
- Avoid placing the appliance next to kitchen utensils or heating equipment to prevent any damage caused by high temperature.
- This appliance is designed for daily household use only. Do not use it for industrial, commercial or other purposes.
- Only dedicated dishwasher detergent, dishwasher salt, rinse aid and other related washing products must be used.
- After use or when the appliance will not be used for a long period of time, please disconnect the power supply and turn off the water supply.
- If you remove items from the appliance before the washing program is completed, be sure to rewash them to remove any residual detergent.
- Keep dedicated detergents and other washing products out of the reach of children.
- Please install the appliance in a location with easy access to the socket or power switch. The power cord must be plugged and unplugged conveniently to ensure that the power supply to the appliance can be disconnected at any time after installation.
- Make sure that the electrical connection information on the appliance nameplate matches the specifications of your power supply.
- If the appliance malfunctions due to reasons not mentioned in this manual, please disconnect the power supply and contact the after-sales service.
- The appliance is subject to a water leakage test before leaving the factory. A small amount of residual water inside the appliance is a normal phenomenon.
- The racks will retain residual heat after the operation is completed. Please beware of scalding by the racks when taking out the tableware.
- When using the Sanitize function, never place tableware made of high-temperature-intolerant materials (such as plastic and wood) close to the Sanitize module, to prevent tableware damage or spontaneous combustion caused by excessive heating temperature.
- The new hose-sets supplied with the appliance are to be used and that old hose-sets should not be reused.

PRODUCT INTRODUCTION

Dear Customer,

We would like to take this opportunity to express our sincere gratitude for your purchase of Robam products. We strongly recommend that you read this manual carefully before installing and using this product, and keep it properly stored for future reference.

※ The pictures in this manual are schematic diagrams for reference only. In case of any discrepancy between the pictures and the actual product, the actual product shall prevail. The appearance and structure of our company's products are subject to continuous improvement. We reserve the right to amend the content herein due to product upgrades without prior notice.

Important Information

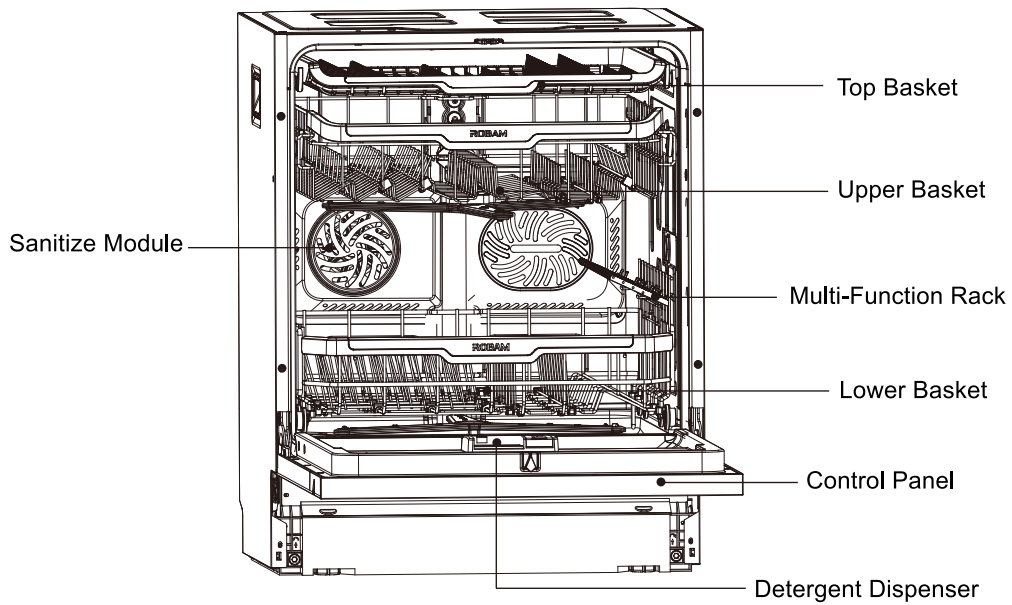
Packaging of the Integrated Washing and Disinfecting Dishwasher

Please dispose of these packaging materials in an environmentally friendly manner to preserve a sound environment. Keep packaging materials such as plastic films and cartons out of the reach of children, as playing with these materials may cause suffocation accidents.

Technical Specifications

Model	W658	Tableware Capacity	22 settings
Rated Voltage	220V-240V	Water Pressure	0.1MPa-1.0MPa
Rated Frequency	50Hz	Net Weight	42.5kg
Rated Input Power	1720W-2030W	Overall Dimensions (W×H×D)	598mm × 758mm × 570mm

Product Structure



Packing List

No.	Item	Quantity
1	Complete Appliance	1
2	User Manual	1
3	Installation Kit	1

Control Panel Introduction

Control Panel

Main Program	Heavy	Eco	Quick	Auto	Glass	Steam
Additional Function	Sanitize	Storage	Warm	Wi-Fi		
Indicators	Salt Refill	Water Shortage	Rinse Aid Refill	Wi-Fi	Delay	
Buttons	On/Off	Start/Pause				

Note: For details on the main programs and additional functions, please refer to the Description Table of Main Programs and Additional Functions.

INSTALLATION INSTRUCTIONS



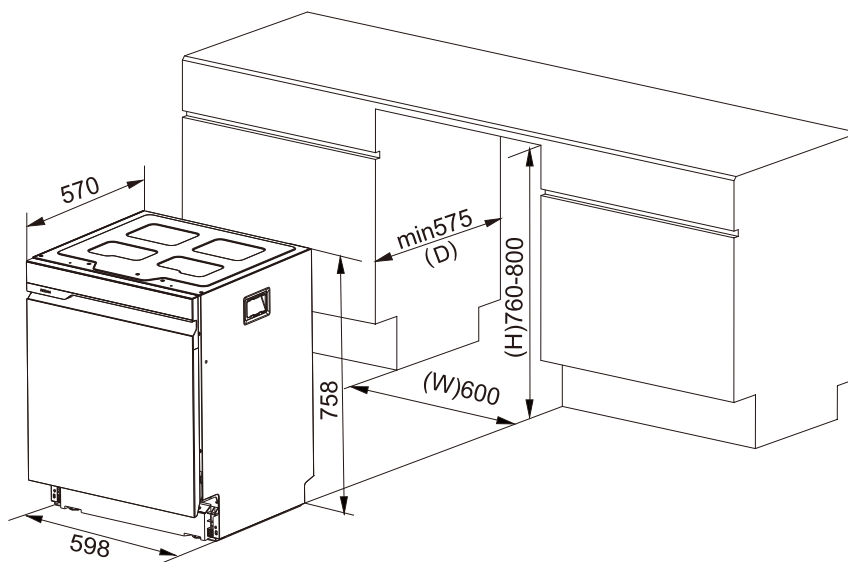
CAUTION:

1. After opening the package, inspect the appliance to confirm no damage has occurred during transportation. If the product is damaged, do not connect it to the power supply, and contact our company's after-sales service immediately.
2. After installation is completed, ensure that the power cord, water supply hose and drain hose are not crushed or pinched.
3. Do not connect the appliance to the power supply throughout the entire installation process.
4. If installation adjustment is required, all electrical and plumbing-related operations must be performed by qualified professionals.
5. Check that the appliance is reliably grounded.
6. All electrical and plumbing work involved in the installation of the appliance must be carried out by qualified professionals.
7. If the appliance operates abnormally, please cut off the power supply, turn off the water supply, and contact the after-sales service.
8. For safety reasons, do not leave the appliance door fully open after use.
9. Before first use, make sure that all packaging materials and fixing accessories are completely removed.

■ Installation Dimensions

The installation dimensions of the Integrated Washing and Disinfecting Dishwasher must strictly comply with the dimensions shown in the figure below (Unit: mm).

No.	Name	W	H	D
1	Fully Built-in Cut-out Dimensions (W×H×D)	600	760-800	≥575



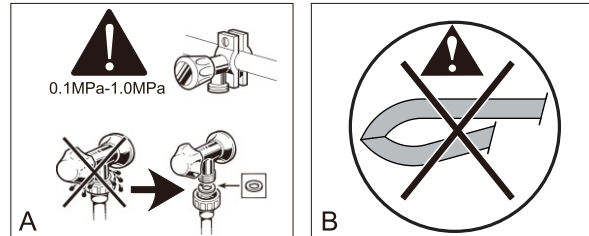
Installation Kit	
A	Anti-Steam Sticker (1pc)
B	Hose Clamp (1pc)
C	ST3.5×30mm (4 pcs)
D	Salt Filling Funnel (1pc)
E	ST4.2×10mm (2 pcs)

Water Supply Connection

1. Check and ensure the inlet water pressure is within 0.1MPa-1.0MPa. You may contact the local water supply authority to confirm the local water pressure. If the water pressure is excessively high, please install a pressure regulating valve.
2. Connect the appliance hose to the water supply: Connect the threaded end of the hose to the angle valve (water tap). The thread specification of the water inlet hose connector of this appliance is G1/2".

⚠ CAUTION:

- ✘ If the water pipe is newly installed or has not been used for a long time, open the water valve and let the water run for a while until the water becomes clear and free of impurities before connecting it to the water inlet hose of the appliance.
- ✘ Check that the hose seal is intact and the connection is firm (Figure A).
- ✘ Avoid twisting or compressing the hose (Figure B).
- ✘ Please turn off the water tap when the appliance is not in use.



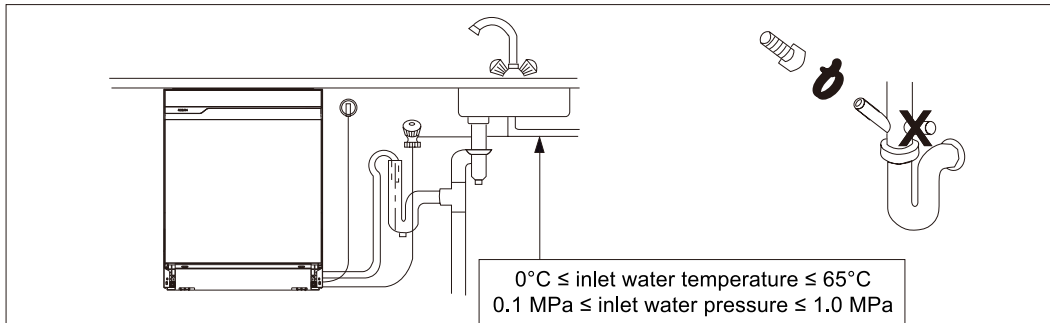
Waste Water Drainage

1. You can connect the end of the drain hose to a vented U-bend or a sink U-bend. When connecting to the U-bend, you must remove the baffle on it, then fully fit the rubber end into place. Use a hose clamp if necessary.

⚠ CAUTION: Ensure the drain hose is securely fixed in place to prevent water leakage.

When installing the drain pipe, the maximum height of the drain outlet shall not exceed the overall height of the appliance, and the drain outlet is strictly prohibited from being submerged in water

⚠ CAUTION: When installing the hose, pull the hose slowly. Twisting or compressing the hose may interrupt the water flow or reduce the flow rate.
A drain pipe longer than 3 meters will affect the normal operation of the appliance.



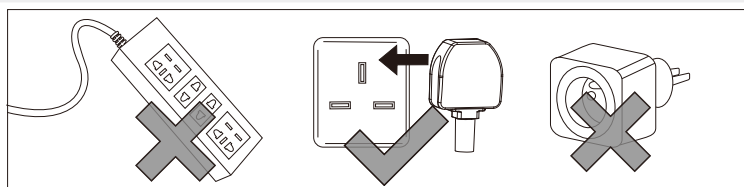
Electrical connection

Before connecting the dishwasher ensure that:

1. The electrical connection information on the product nameplate sticker must match your power requirements;
2. The dishwasher must be connected to a dedicated outlet with grounding;
3. If it is necessary to connect to a voltage different from that stated, an appropriate transformer must be used and a suitably qualified electrician must adjust and ensure that the electrical installation complies with the regulations.

⚠ WARNING:

- After installation, please make sure not to cover the socket.
- Do not connect power through patch panels, duplex sockets or electrical delay devices (as shown below).
- The Company will not be responsible for any accidents caused by missing grounding devices or grounding faults.



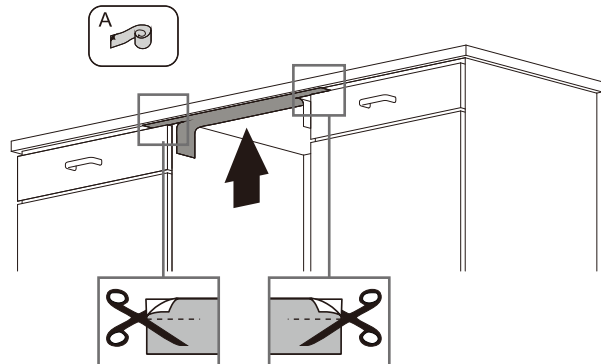
ROBAM | Dishwasher

■ Installation Steps (Dimension unit in the figure: mm)

Step 1

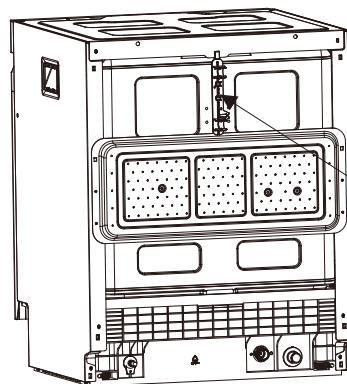


Wipe the underside of the countertop clean with a rag.



Paste the Anti-Steam Sticker on the front position of the underside of the countertop.

Step 2

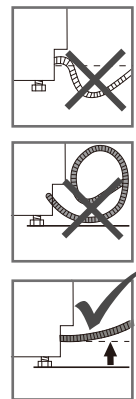
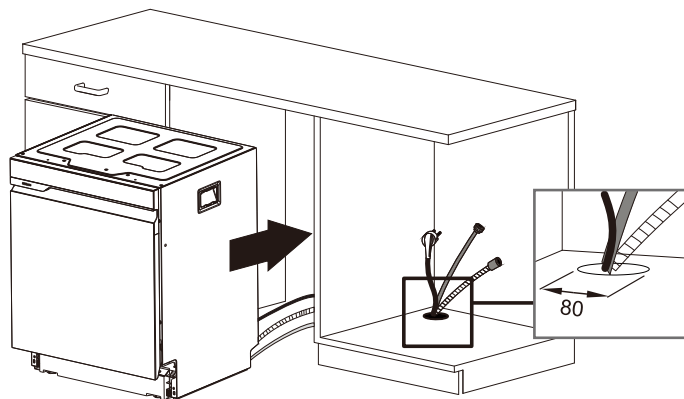


Remove the drain hose bracket

Rear of the machine

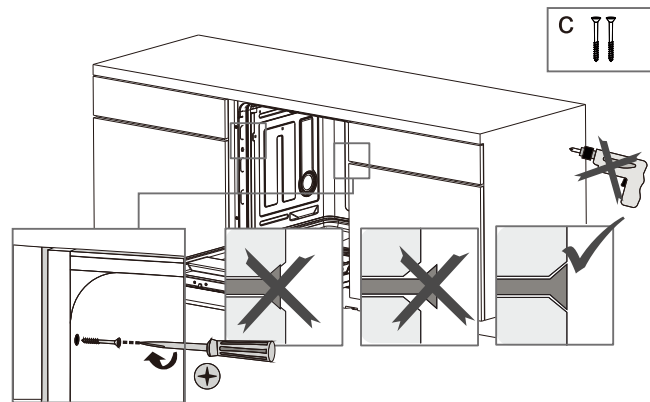
Step 3

Slowly push the machine into place, with the water inlet hose, drain hose and power cord extending out from the bottom or side. Be careful not to twist the hoses and power cord.



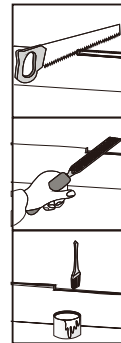
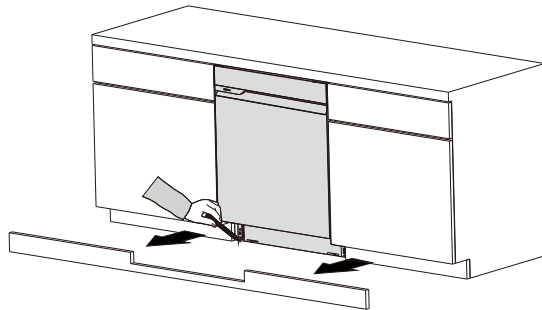
Step 4

After opening the door, install the ST3.5×30mm fixing screws on both sides.

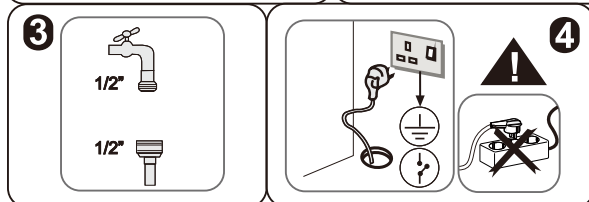
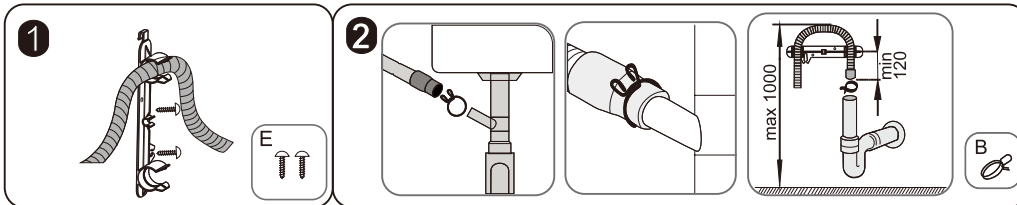
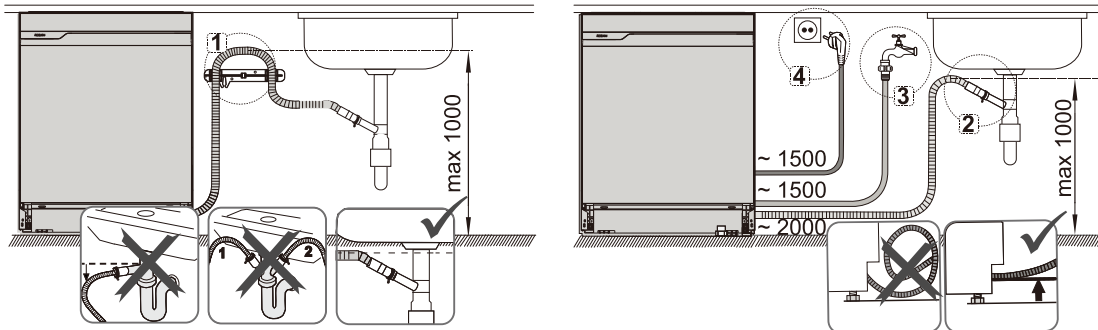


Step 5

Install the kick plate.



Step 6



1. Secure the drain hose bracket;
2. Install the drain hose;
3. Install the water inlet hose;
4. Connect the power cord.

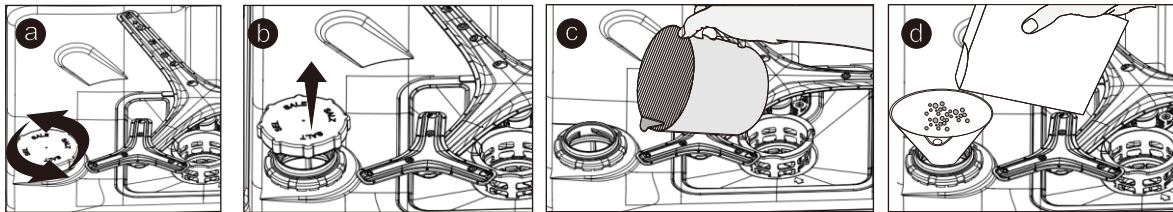
OPERATING INSTRUCTIONS

Operation of the Water Softening System

To achieve the ideal washing effect, this product requires the use of soft water with low hardness. Due to the varying water quality in different regions, this product is equipped with a built-in water softener. When the Salt Refill Indicator " S " is on, please add dedicated dishwasher salt in a timely manner.

■ Adding Dedicated Dishwasher Salt

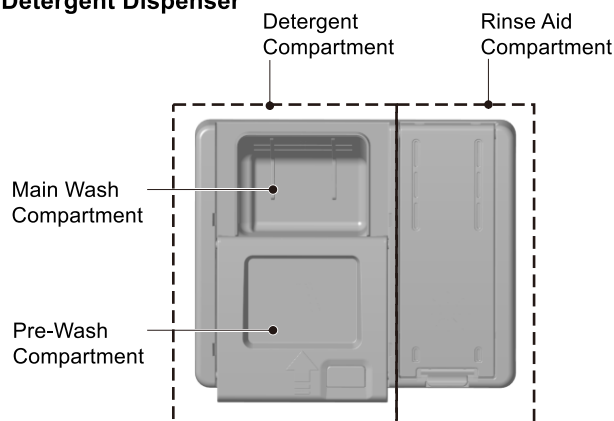
- Remove the Lower Basket, turn counterclockwise to open the water softener cover (Figure a, Figure b);
- Only for the first use, add approximately 1kg of water into the water softener (Figure c);
- Use the salt filling funnel to add dedicated dishwasher salt into the water softener (Figure d). To accelerate the dissolution of the salt in water, you may stir with a spoon;
- After adding the salt, tighten the water softener cover securely.



- After adding the dedicated dishwasher salt, run the Quick Wash program immediately to remove residual salt in the cavity.
- Only dedicated dishwasher salt must be used in the water softening system. It is strictly prohibited to use salts that cannot be completely dissolved in water, such as refined table salt or rock salt.
- The maximum amount of dedicated salt that can be added to the water softener is 1kg.
- The dedicated salt may take a long time to dissolve in water. After adding the dedicated salt, the Salt Refill Indicator will remain lit for a period of time.
- Only open the water softener cover when adding dedicated salt.

Operation of the Detergent Dispenser

■ Introduction to the Detergent Dispenser



■ Adding Detergent

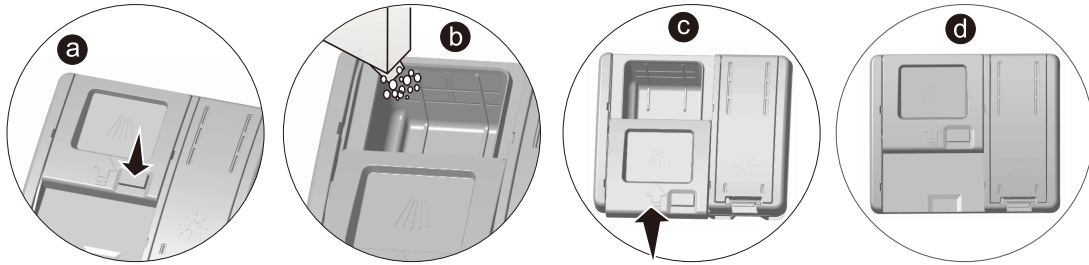
Add detergent to the detergent dispenser as shown in the figure below:

1. Press the latch (Figure a) to open the cover of the dishwasher detergent powder/tablet compartment.
2. Add an appropriate amount of powder or tablet detergent into the detergent compartment (Figure b).

Note: ● A capacity mark is provided inside the detergent dispenser;

- Pre-wash detergent shall be added into the pre-wash compartment.

3. Push the detergent compartment cover in the direction of the arrow in Figure c. A "click" sound from the cover indicates that it is securely closed (Figure d).



CAUTION:

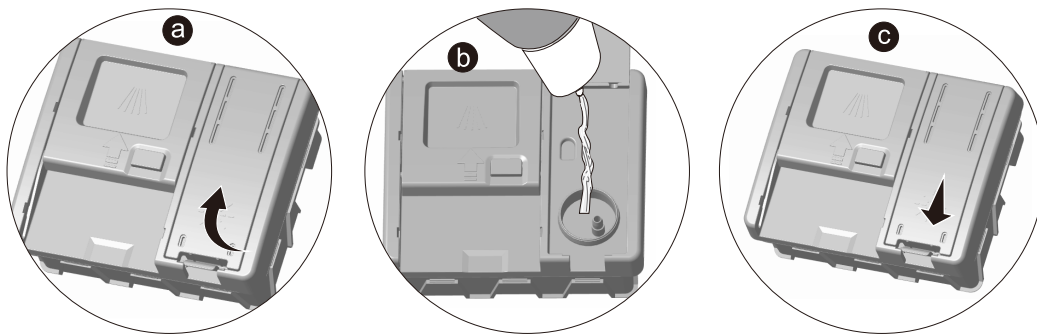


- Use only dedicated powder or tablet dishwasher detergent. Do NOT use hand dishwashing liquid. It is not recommended to use detergents containing chlorine and phosphate.
- Please follow the warning information on the detergent packaging. For further questions, please contact the detergent manufacturer.

■ Adding Rinse Aid

This product requires the use of dedicated rinse aid. To ensure optimal drying performance, please add rinse aid in a timely manner when the Rinse Aid Refill Indicator "☀" is on. A single fill of rinse aid can be used for multiple wash cycles. The filling steps are as follows:

1. Open the rinse aid compartment cover as shown in Figure a.
2. Fill with rinse aid until the liquid reaches the "MAX" mark (Figure b).
3. Close the rinse aid compartment cover (Figure c).



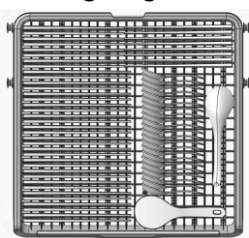
Note: Please wipe off any spilled rinse aid immediately.

Loading Tableware

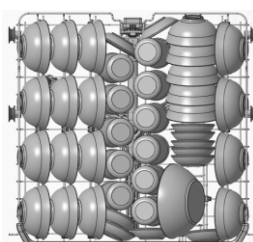
Recommended Tableware Types

- Tableware made of the following materials is generally suitable for washing in this appliance: ordinary ceramics (excluding glazed porcelain), plastic (some thermoplastics may deform or fade due to high temperature), glass (delicate glassware or leaded crystal glassware may lose luster after frequent washing), and stainless steel.
- Tableware made of wood or with wooden parts may deform or crack due to high temperature. Colored glazed surfaces may fade after repeated washing. Items made of copper, brass, tin and aluminum may discolor or fade after repeated washing. Washing these items in this appliance is not recommended.
- Iron products, aluminum products, and non-stick pans with Teflon coating are not recommended for washing, as they are prone to rust or chemical reactions after washing.
- Handicrafts, antiques, valuable vases and decorative glassware must NOT be washed in this appliance.
- Always check the instructions provided by the tableware manufacturer to confirm whether the tableware is suitable for washing in this appliance.

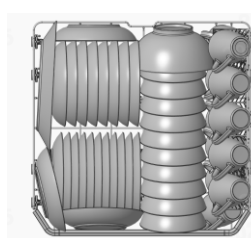
Tableware Loading Diagram



Top Basket



Upper Basket



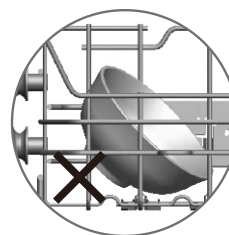
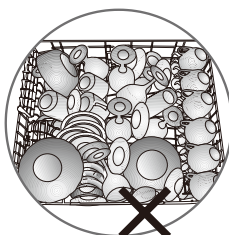
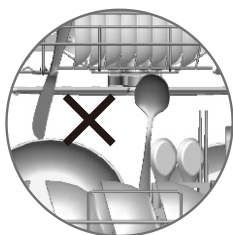
Lower Basket



CAUTION:

- When using the Sanitize function, never place tableware made of high-temperature-intolerant materials such as plastic and wood close to the Sanitize Module, to prevent tableware damage or spontaneous combustion caused by excessive heating temperature.
- Before loading tableware, please remove large food residues (bones, seeds, etc.) from the tableware.
- It is recommended to load the tableware as shown in the diagram. If the tableware cannot be placed properly or is easy to tip over, please adjust the placement position appropriately to ensure that the opening of the tableware faces obliquely downward.
- Heavily soiled tableware should be preferably placed in the Lower Basket.

Incorrect Tableware Loading Diagram

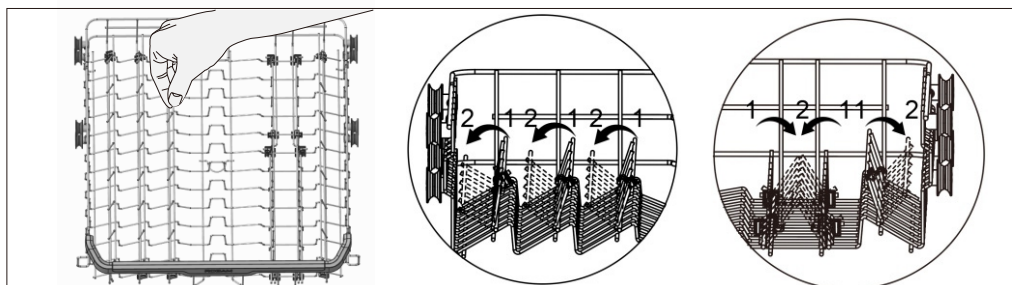


CAUTION:

- Load the tableware properly. Do not let the tableware block the rotation of the spray arms.
- Do not overlap or squeeze tableware together in the basket.
- Do not place tableware with the opening facing upward.

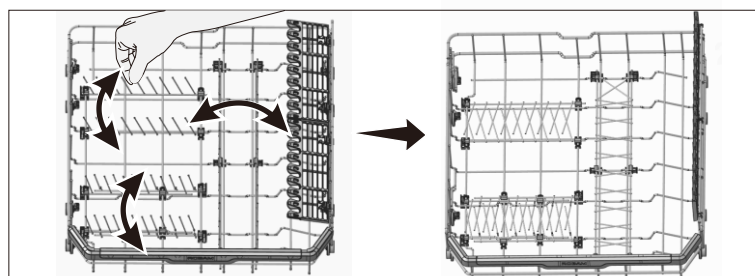
■ Adjustable Movable Row of the Upper Basket

Users can adjust the gear position of the movable row on the upper basket according to actual needs.

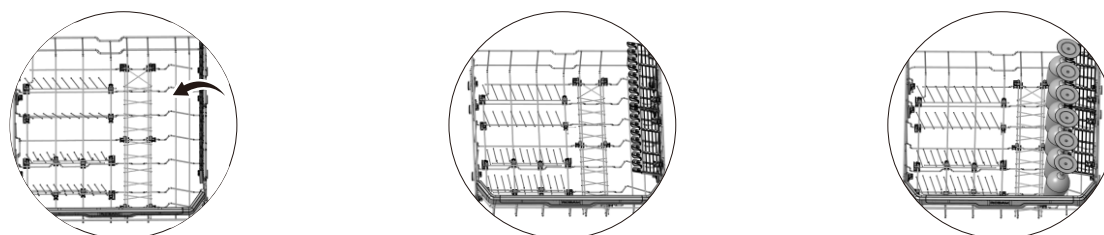


■ Adjustable Movable Row of the Lower Basket

Users can adjust the gear position of the movable row on the lower basket according to actual needs.




■ Operating Instructions for the Multi-Function Rack




Flip the multi-function rack to the inclined position, and insert the goblets into the U-shaped soft rubber slots on the rack in sequence. (The actual number of goblets that can be placed varies depending on the size specifications of the goblets, the above figure is for reference only.)

Program Setting

■ Turning on the Integrated Washing and Disinfecting Dishwasher

Open the door, press and hold the "  " button to turn on the appliance, and enter the program selection mode.

■ Starting a Program

1. Select the desired program, press the "  " button to start;
2. The program will start running after the door is closed.

Important Notice: It is recommended to select the appropriate program according to the type of items to be washed and the amount of food residue.

ROBAM | Dishwasher

Additional Functions

You can use additional functions as required. The additional functions include Sanitize, Storage, Warm and Wi-Fi.

- **Sanitize**
Press the "Sanitize" button briefly to enable it as an additional function. When the program is not started, press the "Sanitize" button again to cancel the function.
Press and hold the "Sanitize" button to enable it as an independent function. It will disinfect the tableware, and the digital display will show the countdown.
- **Storage**
Press the "Storage" button briefly to enable it as an additional function. When the program is not started, press the "Storage" button again to cancel the function.
Press and hold the "Storage" button to enable it as an independent function. When used as an additional function or an independent function, it will perform timed air exchange for up to 15 consecutive days.
- **Warm**
Press the "Warm" button briefly to enable it as an independent function for heating tableware. The breathing flash of the orange light indicates the heating-up phase, and the steady illumination of the orange light indicates the heat preservation phase.
- **Wi-Fi**
Press and hold the "Wi-Fi" button on the appliance, the "Wi-Fi" indicator will flash, and the appliance will enter the setup mode for the mobile App. Follow the instructions in the App setup wizard to complete the operation. The "Wi-Fi" indicator will stay steadily on when the network connection is successful, and will turn off if the connection fails.



Mobile Network Connection Guide:

- ① Open the "ROBAM AI" App;
- ② Register and log in to enter the App interface;
- ③ Tap the Devices tab at the bottom, then tap the "+" icon in the upper right corner, and follow the setup wizard to complete the network connection of the product. (The first network connection may take some time. The operation will run smoothly after the connection is successfully established.)

Please scan the QR code below to download the ROBAM AI App.
*Note: If the code scanning fails, you can also search for "ROBAM AI" in the App Store and Android app markets to download.

④ If the connection fails, you can check and reconnect according to the prompts on the mobile phone interface, or call the after-sales hotline 95105855. For regions where the hotline is not available, please call 0571-86281080.

*Note: The actual icon and network connection interface are subject to the actual App version. The instructions for steps ② and ③ are for reference only.

Remote Control Function

To enable: In the program selection mode, press and hold the "Wi-Fi" + "Eco" buttons simultaneously for 5 seconds. A beep will sound to indicate that the remote control function is enabled, and the "Wi-Fi" icon will be fully lit when the network connection is successful.

To disable: In the program selection mode, press and hold the "Wi-Fi" + "Eco" buttons simultaneously for 5 seconds. A beep will sound to indicate that the remote control function is disabled, and the "Wi-Fi" icon will be half-lit when the network connection is successful.

Operation Method for Additional Functions

1. Select the main program first, then select the additional functions.
2. After changing the main program, the selected additional functions will be canceled automatically.
3. When a main program and an additional function cannot be combined, the corresponding additional function icon will be lit at 1/8 brightness, and a short press will trigger an invalid tone.
4. After selecting the main program and additional functions, press the "Start" button and close the door, the program will run automatically.

Main Program and Additional Function Matching Table

NO.	Main Program / Additional Function	Sanitize	Storage
1	Heavy	●	●
2	Eco	●	●
3	Quick		
4	Auto	●	●
5	Glass		
6	Steam	●	●

■ Indicator Light Status

When the product is in program setting, pause or delay start mode: The color light stays steadily on.

When the product is in program operation mode: The color light flashes in breathing mode during the washing phase; the orange light flashes in breathing mode during the drying phase (including independent programs).

When the program is started but the door is not closed: The color light stays steadily on.

When the product is in fault alarm mode: The blue light flashes rapidly.

■ Program End

After the program finishes running, all indicator lights will turn off except the Power button.

- Notes:
1. If the door is opened during program operation, you need to press the "▶" button and close the door to resume the program.
 2. After the machine is started, open the door and press and hold the "▶" button to reset the program.

■ Program Memory Function

After the program finishes running, the previously selected washing program and additional functions will be memorized automatically when the machine is turned on next time. Independently operated additional programs and delay start settings will not be memorized.

User Operation Settings

In the power-on state, press and hold the "Heavy" button and the "Sanitize" button simultaneously for 2 seconds to enter the user setting interface. The digital display will show dx (d0-d9), and you can set the rinse aid level at this time. Press the "Heavy" button again to switch to the setting of water softener regeneration level, interior light setting, sound setting, indicator light setting, warm plate level setting and timed air exchange level setting. (See below for specific setting instructions.)

■ Rinse Aid Level Setting

When the digital display shows dx (d0-d9), it indicates the current rinse aid level setting of the machine. Press the "Sanitize" button to enter the rinse aid level setting mode, and the digital display will cycle from d0 to d9. d0 represents the minimum rinse aid dosage, d9 represents the maximum dosage. The factory default setting is d6.

■ Water Softener Regeneration Level Setting

When the digital display shows Hx (H0-H8), it indicates the current water softening level setting of the machine. Press the "Sanitize" button to enter the water softener regeneration level setting mode, and the digital display will cycle from H0 to H8. The factory default setting is H5.

Water Hardness and Salt Refill Level Comparison Table

Water Hardness (Unit: ppm)	Level	Water Hardness (Unit: ppm)	Level
—	H0	221-290	H5
0-110	H1	291-380	H6
111-150	H2	381-540	H7
151-180	H3	541-890	H8
181-220	H4		

ROBAM | Dishwasher

■ Interior Light Setting

When the digital display shows Lx (L0-L1), it indicates the current interior light level setting of the appliance. Press the Sanitize button to enter the interior light level setting mode, and the digital display will cycle between L0 and L1. L0 means the interior light remains off at all times, L1 means the interior light turns on according to the preset settings. The factory default setting is L1.

■ Sound Setting

When the digital display shows bx (b0-b1), it indicates the current sound level setting of the appliance. Press the Sanitize button to enter the sound level setting mode, and the digital display will cycle between b0 and b1. b0 means the buzzer is muted, b1 means the buzzer is enabled. The factory default setting is b1.

■ Indicator Light Setting

When the digital display shows Cx (C0-C2), it indicates the current indicator light level setting of the appliance. Press the Sanitize button to enter the indicator light level setting mode, and the digital display will cycle from C0 to C2. C0 means the indicator lights remain off at all times; C1 means the indicator lights turn on according to the program settings; C2 means the indicator lights turn on according to the program settings but remain off during the delay start process. The factory default setting is C1.

■ Warm Plate Level Setting

When the digital display shows Fx (F1-F2), it indicates the current warm plate level setting of the appliance. Press the Sanitize button to enter the warm plate level setting mode, and the digital display will cycle between F1 and F2. F1 means the warm plate function runs at the low temperature level, F2 means the warm plate function runs at the high temperature level. The factory default setting is F2.

■ Timed Air Exchange Level Setting

When the digital display shows FAx (FA0-FA1), it indicates the current timed air exchange function level setting of the appliance. Press the Sanitize button to enter the timed air exchange level setting mode, and the digital display will cycle between FA0 and FA1. FA0 means the 24-hour air exchange function is disabled after the program ends, FA1 means the 24-hour air exchange function is enabled after the program ends. The factory default setting is FA1.

- Notes:
1. Note: After completing the above settings, there are 2 ways to save the settings:
 2. If there is no operation for 15 seconds, the settings will be saved automatically, and the machine will shut down and exit the setting mode.
 3. You can press the "⏸" button to save the settings manually, and the machine will enter the program selection mode.

Main Programs

■ Main program description table

Procedures	Usage Scenarios
Heavy	Heavily soiled dishes, residual dry dishes.
Eco	Moderately soiled dishes that have not dried and cured.
Quick	Lightly soiled dishes, no drying required.
Auto	Automatic recognition to match the level of soiled dishes.
Glass	Delicate and fragile lightly soiled tableware.
Steam	Heavily soiled dishes, dishes with dried-on grease

You can select the appropriate washing mode according to the degree of soiling of the dishes.

MAINTENANCE AND CARE

Regular Cleaning

Regular cleaning of the appliance can extend its service life and reduce the occurrence of common faults.



- Unplug the power plug and turn off the water tap before cleaning.
- Do not use abrasive substances during cleaning.
- To ensure the efficient operation of this appliance, the filter and spray arms should be cleaned at least once a week.

Cleaning the Exterior Surfaces

Wipe the exterior surfaces of the appliance with a neutral cleaning agent and a damp cloth. Only use a slightly damp cloth to wipe the Control Panel.

Cleaning the Interior

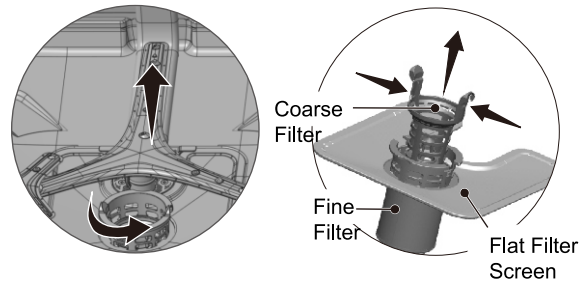
※ Depending on the degree of soiling, determine whether to add detergent, then run a program to clean the interior of the appliance and the water tank.

※ If there is residual water in the appliance, remove the filter according to the instructions in Cleaning the Filter below, and check whether any residue has accumulated at the bottom of the appliance causing blockage of the water path. Clean as needed.

Cleaning the Filter

To ensure the efficient operation of this appliance, the filter should be cleaned at least once a week. Check for food residue on the filter. If food residue is present, remove the filter and rinse it under running water.

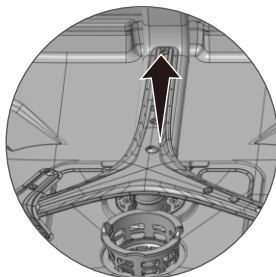
1. First pull up the lower spray arm, then turn the fine filter and coarse filter assembly counterclockwise for about 1/4 turn, and pull the assembly out from the base.
2. Press the two claws of the coarse filter inward, and separate the coarse filter from the assembly.
3. Clean the removed filter under running water with a brush.
4. Place the fine filter and coarse filter assembly back in position.
5. Put the coarse filter back into the fine filter, and ensure it is properly and tightly fitted. Turn the fine filter and coarse filter assembly clockwise until the arrow on the fine filter aligns with the arrow on the flat filter screen, and finally install the lower spray arm back in place.



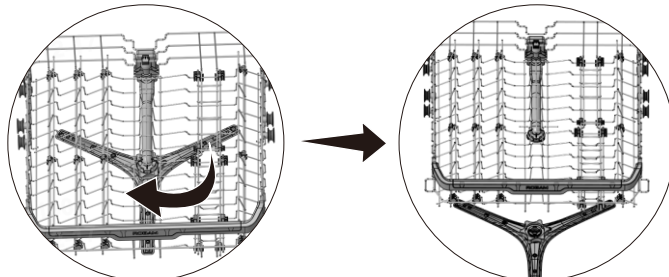
- ※ Do not use the appliance when the filter is not installed.
- ※ Improper placement of the filter will reduce the washing performance.

Cleaning the Spray Arms

1. Check if the holes of the lower spray arm are blocked. If blocked, remove and clean the lower spray arm. Pull up the lower spray arm for inspection and cleaning.
2. Check if the holes of the middle spray arm are blocked. If blocked, remove and clean the middle spray arm. Turn the nut to the left to remove the middle spray arm.
3. When installing the middle spray arm, make sure to fully tighten the nut.






Remove the Lower Spray Arm



Remove the Middle Spray Arm

TROUBLESHOOTING

Fault Code	Cause	Solution
E1	Water Inlet Abnormality Alarm	Check whether the water tap is open; Check whether the water inlet hose is kinked; If the problem is not resolved, please contact qualified service personnel for consultation or repair.
E3	Heating Abnormality Alarm	Please contact qualified service personnel for consultation or repair.
E4	Water Overflow Alarm	Please contact qualified service personnel for consultation or repair.
E5	Temperature Sensor Fault Alarm	Please contact qualified service personnel for consultation or repair.
E6	Communication Abnormality Alarm	Please contact qualified service personnel for consultation or repair.
E7	Flow Meter Fault Alarm	Please contact qualified service personnel for consultation or repair.
E9	Water Diverter Valve Fault Alarm	Please contact qualified service personnel for consultation or repair.
E10	Motor Fault Alarm	Please contact qualified service personnel for consultation or repair.
E12	Heating Fan Fault Alarm	Please contact qualified service personnel for consultation or repair.
	Rinse Aid Refill Indicator	Add rinse aid.
	Salt Refill Indicator	Add dedicated dishwasher salt.
	Water Shortage Indicator	Open the water tap. If the problem is not resolved, please contact qualified service personnel for consultation or repair.

Notice: If any of the above faults occur, the appliance must be repaired by qualified service personnel. Please inform the service personnel of the displayed fault information (such as E1, E3, etc.).

Problem	Possible Cause	Solution
Poor Washing Performance	<ul style="list-style-type: none"> ※ Detergent not added ※ Non dishwasher-specific detergent used ※ Spray arm jammed ※ Improper tableware loading (blocked by large items, nested or stuck together, incorrect placement) ※ Burnt food residue on tableware not pre-treated ※ Filter clogged ※ High-mineral water (e.g. well water) used 	<ul style="list-style-type: none"> ※ Add appropriate amount of detergent according to the degree of soiling. ※ Use only dishwasher-specific detergent. ※ Ensure the spray arm runs smoothly without jamming. ※ Load tableware properly. ※ Pre-treat food residue on tableware before loading. ※ Clean the filter.
Incomplete Detergent Dissolution	<ul style="list-style-type: none"> ※ Detergent damp or caked 	<ul style="list-style-type: none"> ※ Crush caked detergent before putting it into the appliance.
Whitening and Opacity of Glassware	<ul style="list-style-type: none"> ※ Slightly flawed glassware may whiten or turn opaque after high-temperature washing ※ Crystal ware is not dishwasher-safe and prone to whitening/opacity; do not load into the appliance ※ Heavy grease residue left on items ※ Improper salt level setting 	<ul style="list-style-type: none"> ※ Washing in the appliance is not recommended. ※ Add more dedicated dishwasher detergent. ※ Reset the salt level setting.
Water Residue at the Bottom of Tableware	<ul style="list-style-type: none"> ※ Improper tableware loading ※ Insufficient drying time 	<ul style="list-style-type: none"> ※ Load tableware correctly and extend the drying time.

Problem	Possible Cause	Solution
Tableware Not Drying Properly	<ul style="list-style-type: none"> ※ Rinse aid has run out. ※ Rinse aid dosage setting is too low. 	<ul style="list-style-type: none"> ※ Refill rinse aid and select the appropriate program. ※ Increase the rinse aid dosage setting.
Excessive Operating Noise	<ul style="list-style-type: none"> ※ Filter is clogged. ※ Tableware with excessive food residue is loaded into the appliance. 	<ul style="list-style-type: none"> ※ Clean the filter thoroughly. ※ Remove excessive food residue in advance.
Spray Arm Jammed by Tableware Fallen Under the Basket	<ul style="list-style-type: none"> ※ Lightweight tableware is knocked out of position by the washing water spray. 	<ul style="list-style-type: none"> ※ Take out the fallen tableware and place it in the correct position.
White Film Forming Inside the Appliance After Long-term Use	<ul style="list-style-type: none"> ※ The water supply contains mineral components. 	<ul style="list-style-type: none"> ※ This is normal and not a malfunction.
Water Accumulation Under the Filter	<ul style="list-style-type: none"> ※ Water accumulation at the bottom is normal. 	<ul style="list-style-type: none"> ※ This is normal and not a malfunction.
Immediate Drainage at Program Start	<ul style="list-style-type: none"> ※ Water in the pump is drained to ensure washing with clean water. 	<ul style="list-style-type: none"> ※ This is normal and not a malfunction.
Unpleasant Odor During Use	<ul style="list-style-type: none"> ※ Odor from the rubber and resin parts of the appliance may occur after a period of use. 	<ul style="list-style-type: none"> ※ This is normal and not a malfunction.
Odor from Drainage Pipeline	<ul style="list-style-type: none"> ※ Odor may be generated by evaporation of water in the drain pipe after long-term non-use. 	<ul style="list-style-type: none"> ※ Run the "Quick Wash" program once before use.
Water Supply Interruption	/	<ul style="list-style-type: none"> ※ Cut off the power supply and stop operation. ※ After the water supply is restored, open other water taps first to drain turbid water before restarting the appliance.
Water Droplets on Inner Wall and Basket After Program Completion	<ul style="list-style-type: none"> ※ This is a characteristic of residual heat drying. 	<ul style="list-style-type: none"> ※ This is normal and not a malfunction.
Plastic Tableware Not Drying	<ul style="list-style-type: none"> ※ This is an inherent characteristic of plastic products. 	<ul style="list-style-type: none"> ※ Plastic has low thermal conductivity and poor heat storage capacity, resulting in unsatisfactory drying performance.
Condensation Dripping from Bottom of Door Glass or Air Vent	<ul style="list-style-type: none"> ※ Condensation is caused by a large temperature difference between the inside and outside of the appliance. 	<ul style="list-style-type: none"> ※ This is normal. Simply wipe with a soft cloth. It is not a malfunction.
Slight Odor When Using the Sanitize Function	<ul style="list-style-type: none"> ※ Slight odor is generated by the internal rubber and plastic parts of the appliance under high-temperature heating. 	<ul style="list-style-type: none"> ※ This is normal and not a malfunction.

Note: If the above issues still cannot be resolved, please contact our company's authorized service centers or dealers. It is strictly prohibited for non-qualified personnel to disassemble or reassemble this appliance without authorization.

Edition: A/0

Publication Date: April 15, 2026

ROBAM

